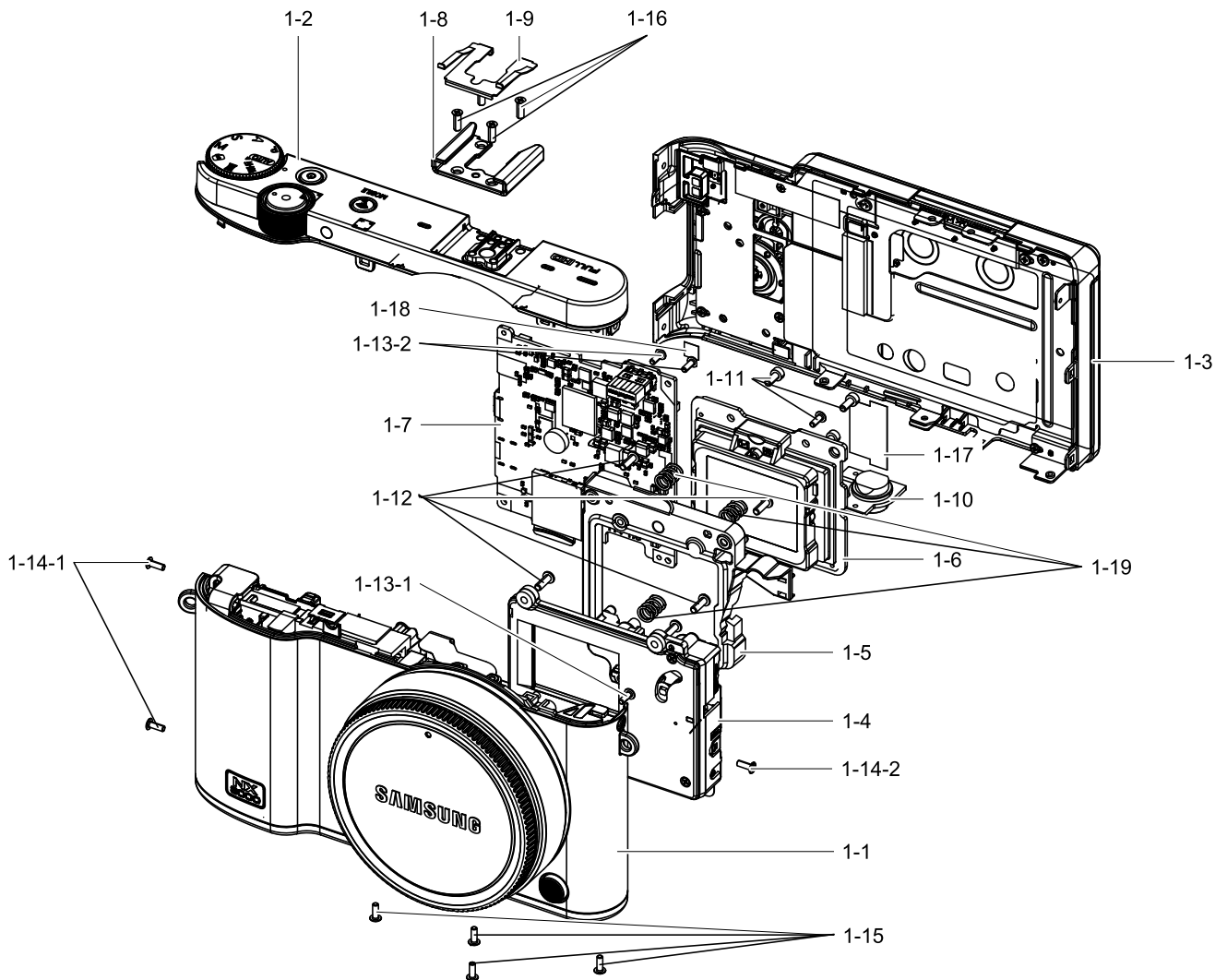


1. ASSY BODY

Exploded View



Parts List

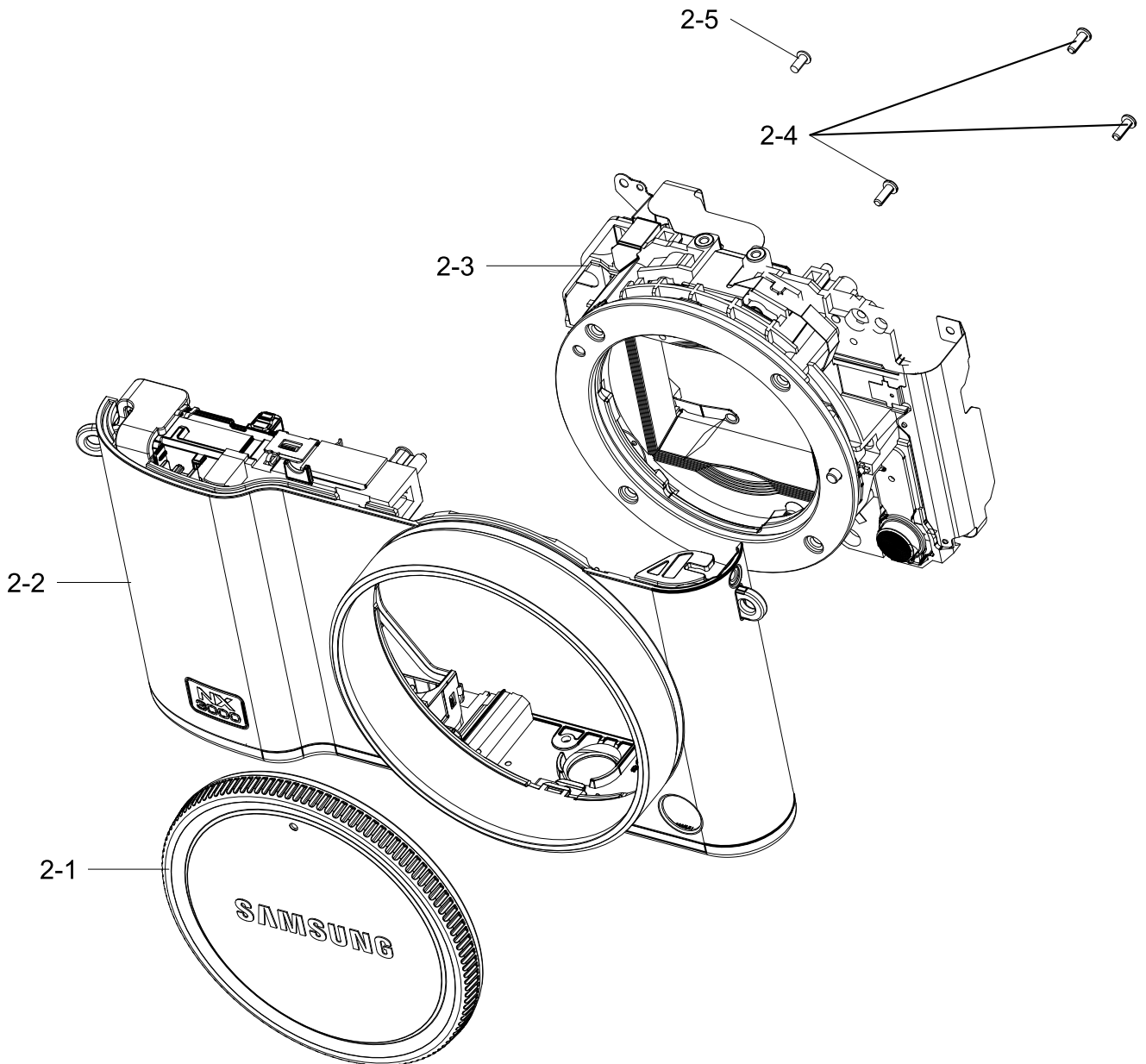
No.	Lvl.	Loc.	Material Code	Description & Specification	SNA	Qty.
1-1	3		AD97-24341B	ASSY MAIN-SUB-NX3000_WH; NX3000,WHITE	SNA	1
1-2	3		AD97-24346A	ASSY CASE-TOP-NX3000_BK; CSC,NX3000	SNA	1
1-3	3		AD97-24348B	ASSY CASE-FRONT-NX3000_WH; CSC,NX3000	SNA	1
1-4	3		AD97-24252A	ASSY-SHUTTER_COPAL(1/4000); CSC,H1,ANIMAT	SA	1
1-5	3		AD61-06385A	HOLDER-CMOS ASSY; NX3000,PC	SA	1
1-6	3		AD97-24345A	ASSY CMOS-NX3000; CSC,NX3000	SA	1
1-7	3		AD92-02225A	ASSY PCB MAIN-NX3000; NX3000	SA	1
1-8	3		AD61-06363A	PLATE-HOT SHOE; 14_CSC_H1,C2680,SILVER	SA	1
1-9	3		AD61-06362A	PLATE-SPRING SHOE; NX-H1,SUS*,SILVER	SA	1

Exploded Views and Parts List

No.	Lvl.	Loc.	Material Code	Description & Specification	SNA	Qty.
1-10	3		AD61-06380A	PLATE-TRIPOD; NX-H1,STS	SA	1
1-11	3		6001-002279	SCREW-MACHINE; CH,HEXA,M1.7,L4,ZPC(BLK),S	SA	3
1-12	4		6003-001796	SCREW-TAPTYPE; PH,B,M1.7,L5,Ni-Cr PLT,SWR	SA	4
1-13-1	3		6003-001739	SCREW-TAPTYPE; BH,+,No,B,M1.4,L4,NI PLT,S	SA	4
1-13-2	4		6003-001739	SCREW-TAPTYPE; BH,+,No,B,M1.4,L4,NI PLT,S	SA	3
1-14-1	3		6001-002159	SCREW-MACHINE; PH,+,M1.4,L4,NI PLT,SWRCH1	SA	7
1-14-2	3		6001-002159	SCREW-MACHINE; PH,+,M1.4,L4,NI PLT,SWRCH1	SA	7
1-15	3		6001-002159	SCREW-MACHINE; PH,+,M1.4,L4,NI PLT,SWRCH1	SA	7
1-16	3		6001-002281	SCREW-MACHINE; FH,+,M1.7,L5,NI PLT,SWRCH1	SA	4
1-17	3		AD02-00167A	TAPE ETC-CIS 2; EK-GN120,ST-850GFL	SA	1
1-18	4		AD68-05944A	LABEL-WATER SOAK; ST95,NORGE 45g,T0.06,W4	SNA	1
1-19	3		6107-002736	SPRING-CS; SUS304-WPB,PI0.55,L6.4,PI3.2,P	SA	3

2. ASSY MAIN SUB

Exploded View

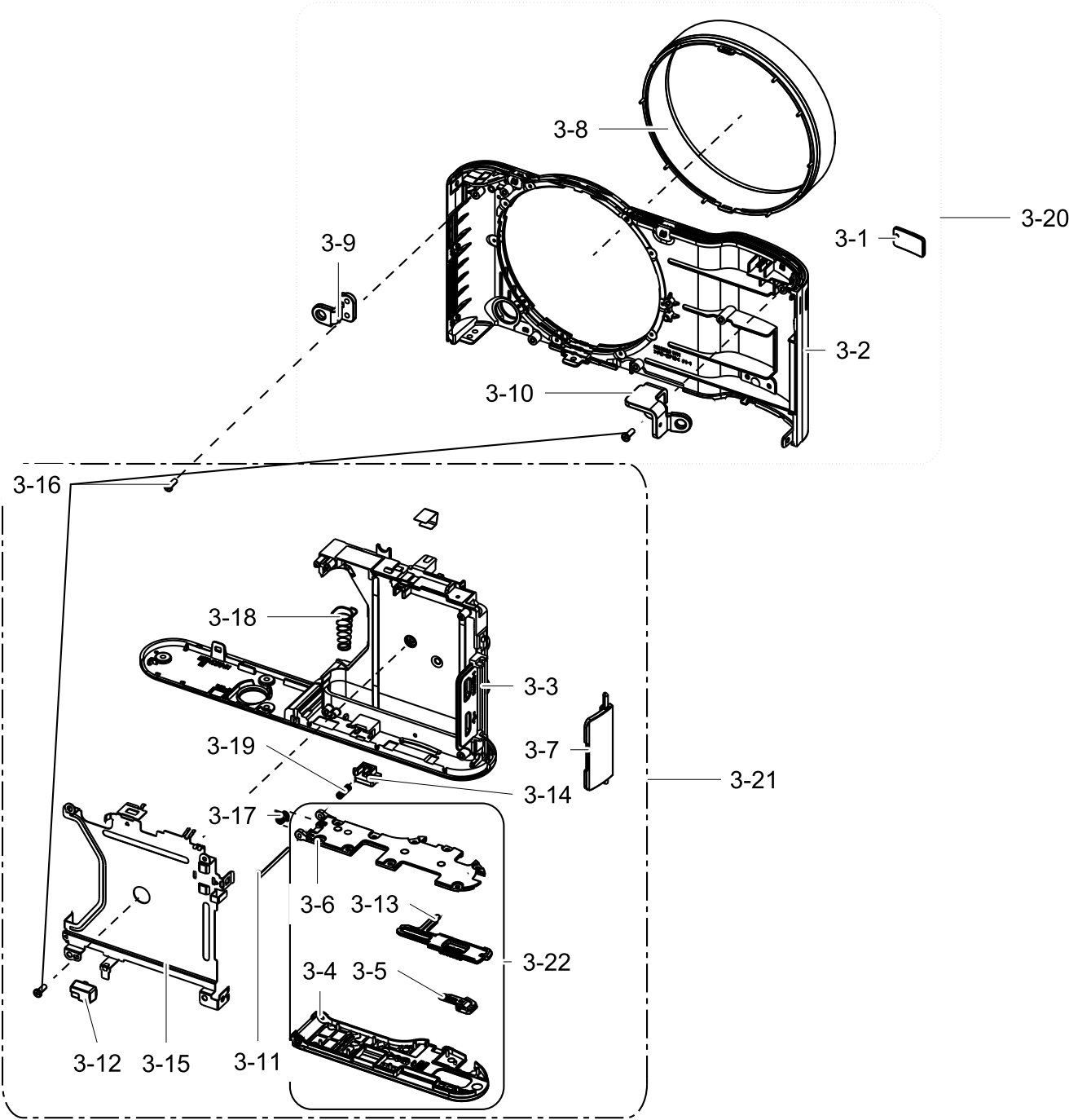


Parts List

No.	Lvl.	Loc.	Material Code	Description & Specification	SNA	Qty.
2-1	4		AD67-02616B	CAP-MOUNT_WH; NX300,PC+G/F10%,WHITE	SA	1
2-2	4		AD97-24330B	ASSY CHAMBER-NX3000_WH; NX3000,WHITE	SNA	1
2-3	4		AD97-24347B	ASSY-MOUNT-NX3000_WH; CSC,NX3000	SA	1
2-4	5		6003-001659	SCREW-TAPTTYPE; PH,+,B,M1.4,L4,ZPC(BLK),SW	SA	1
2-5	4		6003-001508	SCREW-TAPTTYPE; PH,+,B,M1.4,L3,NI PLT,SWRC	SA	1

3. ASSY CHAMBER

Exploded View

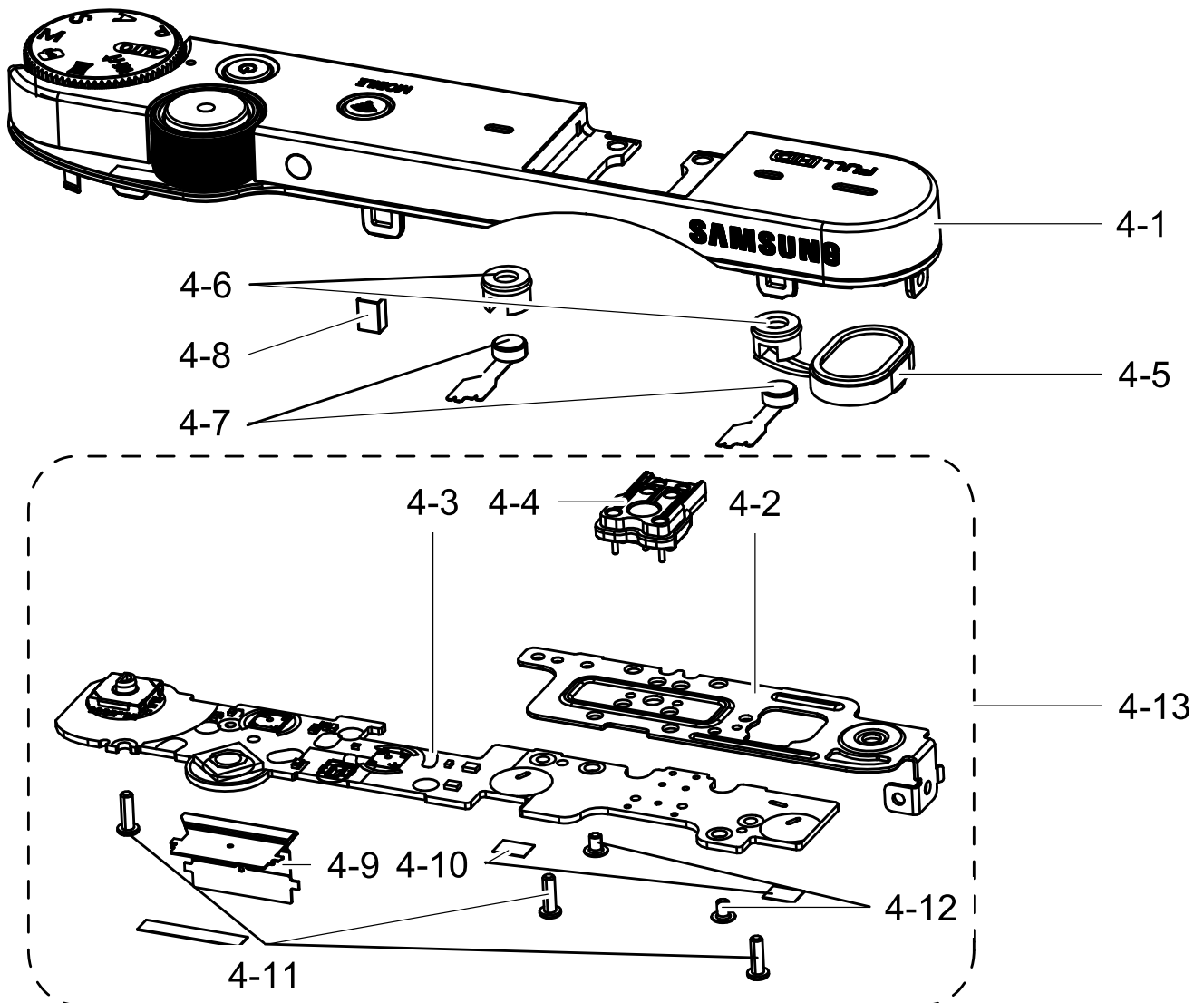


Parts List

No.	Lvl.	Loc.	Material Code	Description & Specification	SNA	Qty.
3-1	6		AD64-04109B	BADGE-NX_WH; NX3000,AL,WHITE	SNA	1
3-2	6		AD61-06402A	CASE-REAR_WH; NX3000,PC,T1.3,WHITE	SNA	1
3-3	6		AD62-00224A	CHAMBER BODY-WH; NX3000,PC+GF10%	SNA	1
3-4	7		AD63-07948A	COVER BATTERY; NX3000,PC	SNA	1
3-5	7		AD63-07989A	COVER BATTERY-DUMMY; NX3000,PC,4,13.2,1.8	SNA	1
3-6	7		AD63-07949A	COVER BATTERY-INNER; NX3000,PC,Black	SNA	1
3-7	6		AD63-07982A	COVER-SIDE_WH; NX3000,PC+G/F10%,WHITE	SA	1
3-8	6		AD64-04132A	DECORATION-RING_WH; NX3000,PC,WHITE	SNA	1
3-9	6		AD61-06367A	HANGER-STRAP L; NX-H1,SUS304	SA	1
3-10	6		AD61-06366A	HANGER-STRAP R; NX-H1,SUS304	SA	1
3-11	6		AD61-06401A	HINGE-COVER BATTERY; NX3000,SUS,14	SA	1
3-12	6		AD61-06407A	HOLDER-ANTENNA; NX3000,ABS,T0.7	SNA	1
3-13	7		AD66-01129A	LEVER-COVER BATTERY; NX3000,PC,black	SNA	1
3-14	6		AD64-03832E	LOCKER-PMO STOPPER BATTERY; NX3000,PC,BLU	SA	1
3-15	6		AD61-06372A	PLATE-CHAMBER; NX-H1,STS	SNA	1
3-16	4		6003-001659	SCREW-TAPTYPE; PH,+,B,M1.4,L4,ZPC(BLK),SW	SA	5
3-17	6		6107-002994	SPRING-TS; SWP-B,BLS,0.32,2.0,1.68,2.32,1	SA	1
3-18	6		AD61-05823A	SPRING ETC-BATTERY_PUSH; EX2F,SWP-B,BALCK	SA	1
3-19	6		AD61-05870A	SPRING ETC-SPRING STOPPER; EK-GC100,SUS 3	SA	1
3-20	5		AD97-24331B	ASSY CASE-REAR-SUB-NX3000_WH; CSC,NX3000	SA	1
3-21	5		AD97-24425B	ASSY CHAMBER-SUB_WH; NX3000,WHITE	SA	1
3-22	6		AD97-24344A	ASSY COVER-BATTERY-NX3000_BK; CSC,NX3000	SA	1

4. ASSY CASE TOP

Exploded View



Parts List

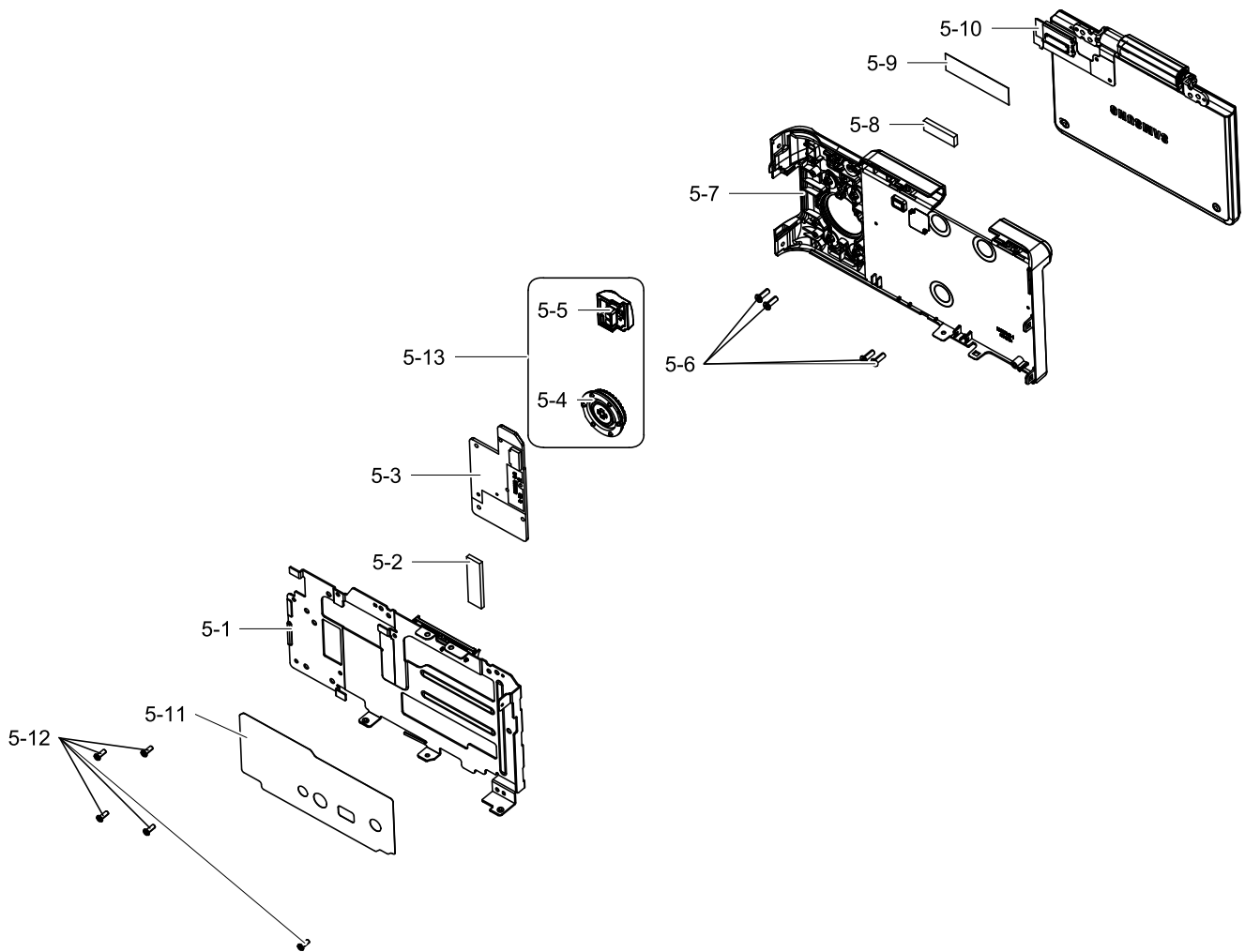
No.	Lvl.	Loc.	Material Code	Description & Specification	SNA	Qty.
4-1	4		AD97-24412A	ASSY-TOP AS; NX3000,NX3000	SA	1
4-2	5		AD61-06374A	PLATE-HOT SHOE BOTTOM; NX-H1,SUS	SNA	1
4-3	5		AD92-02226A	ASSY PCB TOP-NX3000; NX3000	SNA	1
4-4	5		AD97-24332A	ASSY-HOT-SHOE-NX3000; CSC,NX3000	SNA	1
4-5	4		3001-002641	SPEAKER; 0.5W,8ohm,88dB,850Hz,15x10x3.7mm	SA	1
4-6	4		AD67-02581A	RUBBER-MIC; WB250F,RUBBER	SA	2
4-7	4		3003-001198	MIC-CONDENSOR; 2V,500uA,-38DB,2.2kOhm	SA	2
4-8	4		AD61-06414A	MAGNET-OPEN_NX3000; NX3000,N45M,2,4,2.75	SA	1

Exploded Views and Parts List

No.	Lvl.	Loc.	Material Code	Description & Specification	SNA	Qty.
4-9	5		AD41-02089A	FPC-NX3000_CONNECTION; NX3000,00,Polyimid	SA	1
4-10	4		AD63-04128A	T/SHEET-FRONT SHEET; E1,TESA 4980	SNA	2
4-11	4		6003-001739	SCREW-TAPTYPE; BH,+,No,B,M1.4,L4,NI PLT,S	SA	3
4-12	5		6001-002165	SCREW-MACHINE; PH,+,M1.4,L2,NI PLT,SWRCH1	SA	2
4-13	4		AD97-24393A	ASSY TOP-PCB SUB; CSC,NX3000	SA	1

5. ASSY CASE-FRONT

Exploded View



Parts List

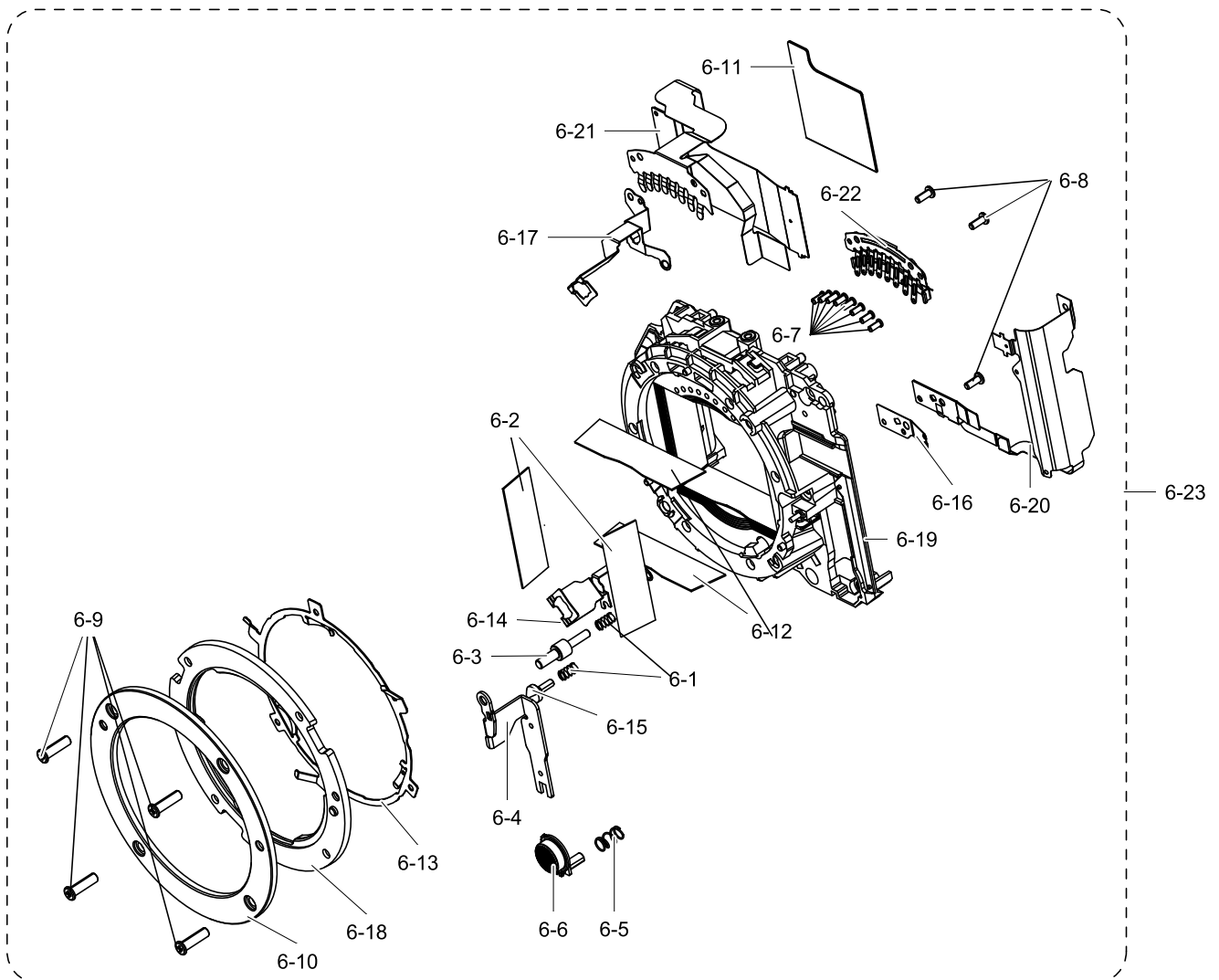
No.	Lvl.	Loc.	Material Code	Description & Specification	SNA	Qty.
5-1	4		AD97-24402B	ASSY BRACKET-FRONT AS_NX3000_WH; CSC,NX30	SA	1
5-2	5		AD63-07953A	CUSHION-CONNECTOR CMOS; NX3000,TESA	SNA	1
5-3	5		AD92-02246A	ASSY PCB KEY-AS_NX3000; CSC,NX3000	SNA	1
5-4	5		AD97-24389B	ASSY-WHEEL KEY SUB_WH; CSC,NX3000,WHITE	SNA	1
5-5	4		AD42-00081A	ANTENNA-WIFI_NX3000; NX3000,2.400-2.485GH	SA	1
5-6	5		6003-001796	SCREW-TAPTYPE; PH,B,M1.7,L5,Ni-Cr PLT,SWR	SA	2
5-7	4		AD97-24400B	ASSY CASE-FRONT SUB AS_NX3000_WH; CSC,NX3	SA	1
5-8	4		AD63-08006A	CUSHION-CONNECTOR LCD; NX3000,hd48,1.75,4	SA	1

Exploded Views and Parts List

No.	Lvl.	Loc.	Material Code	Description & Specification	SNA	Qty.
5-9	5		AD63-07997A	SHEET-LCD FPC EMI; NX3000,KNS-G,0.13,33,8	SA	1
5-10	4		AD97-24339B	ASSY LCD-NX3000_WH; CSC,NX3000	SA	1
5-11	5		AD63-08002A	SHEET-BRACKET FRONT_NX3000; NX3000,RS-TGS	SNA	1
5-12	5		6003-001659	SCREW-TAPTYPE; PH,+,B,M1.4,L4,ZPC(BLK),SW	SA	1
5-13	4		AD97-24413B	ASSY-WHEEL KEY_WH; NX3000,NX3000,WHITE	SA	1

6. ASSY MOUNT

Exploded View



Parts List

No.	Lvl.	Loc.	Material Code	Description & Specification	SNA	Qty.
6-1	5		6107-001781	SPRING-CS; SUS304WPB, PI0.18, 3.8, ID1.8, OD2	SA	2
6-2	5		AD63-06306A	SHEET-ABSORB B; NX200, FINE SHUT+TESA4982	SNA	2
6-3	5		AD66-01128A	SHAFT-LENS UNLOCK; NX-H1, SUS	SNA	1
6-4	5		AD61-06373A	PLATE-LENS UNLOCK; NX-H1, SUS	SNA	1
6-5	5		AD61-06394A	SPRING ETC-BUTTON LENS UNLOCK; SWPB	SNA	1
6-6	5		AD64-04133A	KEY-LENS UNLOCK_WH; NX3000, PC, WHITE	SNA	1
6-7	5		AD67-02943A	CONTACT-INTERFACE; NX-H1, MB20	SNA	8
6-8	5		6003-001630	SCREW-TAPTTYPE; PH, +, B, M1.4, L3.5, ZPC(BLK),	SA	3

Exploded Views and Parts List

No.	Lvl.	Loc.	Material Code	Description & Specification	SNA	Qty.
6-9	5		6003-001777	SCREW-TAPTYPE; PH,+,B,M2,L7,NI PLT,SWRCH1	SNA	4
6-10	5		AD61-05284A	PLATE-MOUNT LENS; NX200,SUS,SILVER,INKING	SA	1
6-11	5		AD63-07996A	SHEET-CIS FPC EMI; NX3000,KNS-G,0.13,39.9	SNA	1
6-12	5		AD63-07955A	SHEET-ABSORB; NX3000,KOYO, EP3046	SNA	2
6-13	5		AD61-05314A	PLATE-MOUNT SPRING; NX200,SUS	SA	1
6-14	5		AD61-06376A	PLATE-GROUND MOUNT B; NX-H1,STS	SNA	1
6-15	5		AD66-00945A	SHAFT-LENS DETECT; NX200,SUS303,SILVER	SA	1
6-16	5		AD61-06361A	PLATE-DETECT; NX-H1,SUS*	SNA	1
6-17	5		AD61-06375A	PLATE-GROUND MOUNT A; NX-H1,STS	SNA	1
6-18	5		AD61-05307B	MOUNT-INNER; NX1000,PC	SA	1
6-19	5		AD61-06384A	HOLDER-MOUNT; NX3000,PC	SNA	1
6-20	5		AD42-00080A	INTENNA-NFC_NX3000; AFSNFCNX33,NX3000,13.	SNA	1
6-21	5		AD92-02228A	ASSY PCB FPC-NX3000_CIS; NX3000	SNA	1
6-22	5		AD97-24388A	ASSY-PLATE IF; NX3000,SUS201,SUS301-H	SNA	1
6-23	4		AD97-24347B	ASSY-MOUNT-NX3000_WH; CSC,NX3000	SA	1