



# DIGITAL CAMERA LENS

**NX Lens-XL1206**

**SAMSUNG 20-50 mm F3.5-5.6 ED II**

# **SERVICE**

# *Manual*

**DIGITAL CAMERA LENS**

**CONTENTS**



1. Repair information
2. Product specifications
3. Disassembly and reassembly
4. PCB diagrams
5. Block diagram
6. Firmware update
7. Exploded view and parts list

# Contents

## 1. Repair information

|  |     |
|--|-----|
| 1-1 Customer satisfaction statement.....           | 1-1 |
| 1-2 Warranty and repair service information.....   | 1-1 |
| 1-3 Precaution for disassembly and reassembly..... | 1-4 |

## 2. Product specifications

|                                   |     |
|-----------------------------------|-----|
| 2-1 Specifications .....          | 2-1 |
| 2-2 Layouts .....                 | 2-1 |
| 2-3 Accessories information ..... | 2-2 |

## 3. Disassembly and reassembly

|                      |     |
|----------------------|-----|
| 3-1 Disassembly..... | 3-1 |
| 3-2 Reassembly.....  | 3-9 |

## 4. PCB diagrams

|                           |     |
|---------------------------|-----|
| 4-1 Main PCB(Top) .....   | 4-1 |
| 4-2 Main PCB(Bottom)..... | 4-1 |

## 5. Block diagram

## 6. Firmware update

|  |     |
|--|-----|
| 6-1 Before updating the firmware ..... | 6-1 |
| 6-2 How to update the firmware.....    | 6-2 |

## 7. Exploded view and parts list

|                                 |      |
|---------------------------------|------|
| 7-1 TOTAL ASSEMBLY.....         | 7-1  |
| 7-2 SUB BARREL ASSEMBLY .....   | 7-3  |
| 7-3 REAR COVER ASSEMBLY .....   | 7-5  |
| 7-4 AF BASE ASSEMBLY .....      | 7-6  |
| 7-5 FRONT COVER ASSEMBLY .....  | 7-7  |
| 7-6 OUTER BARREL ASSEMBLY ..... | 7-8  |
| 7-7 ZOOM RING ASSEMBLY.....     | 7-9  |
| 7-8 PACKING ITEMS .....         | 7-10 |

---

# 1. Repair information

---

## 1-1 Customer satisfaction statement

---



We hold ourselves to the highest standards of customer satisfaction and service.

---

- Combining perfect technical solutions with a customer-oriented approach is our top priority.
- We treat our customers we serve with kindness, loyalty, respect and dignity.
- We are committed to earn customers' trust continuously through excellence in repair solutions.
- We keep our promises and commitments to our customers.
- Committed to quick and easy resolution of all support issues, we deliver industry-leading response times.

### [Guide]

We listen carefully to our customers' requirements and always find an optimum solution for their needs.

We are committed to your satisfaction and have procedures in place to provide you with a fair, timely and effective means to resolve problems. It combines industry leading preventive assistance with responsive support that helps us address problems quickly and effectively.

We will continuously maintain and improve our services to satisfy the needs of our customers.

---

## 1-2 Warranty and repair service information

---

### (1) General terms and conditions

It is guaranteed to be free of charge from defects in material and workmanship under normal use for a period of one year from date of purchase.

Digital Camera and lens come with a one year limited warranty from the date of purchase.

**\* The duration of the warranty depends on the laws in the country in which it was purchased.**

The following information will be required to process warranty requests:

- a. We imply warranties to one year from the original date of purchase. In the event that the purchaser is unable to provide a warranty card or proof of purchase, the warranty period will be determined by the date of manufacture. The warranty period shall be decreased to three months from the original product manufactured date.
- b. The coverage under this warranty begins on the date of your purchase of the product. In the event that a warranty card or proof of purchase is not available, a purchase receipt, preferably the purchase invoice, to confirm the date of purchase is required for warranty service.
- c. In the event that a valid date of purchase is not available, the warranty period will be determined by the date of manufacture. The warranty period shall be decreased to three months from the original product manufactured date.

**(2) Limited Warranty**

It reserves the right to retain any parts or components replaced at its discretion in the event of a defect noticed in the product. The period with respect to retaining components may vary respectively depending on its components. We are not liable to repair or replace its faulty product after the Warranty Period has expired.

**\* We warrant its retaining camera and lenses for five years and three years for the accessories.**

- a. If a warranty claim is filed after the product has been discontinued, we reserves the right to honor the components warranty. Warranty period may vary depending on the type of components.
- b. In the event that no identical warranty information is available for service repair, company has the right to provide warranty. The warranty does not affect the consumers' rights against the company related to its information.

For the length of the period indicated on the chart below, it starts with the date of original purchase.

**(3) Warranty Period for components**

Our liability under this warranty shall be limited to the following:

- a. In the event of a same malfunction problem within two months after repair service by Samsung authorized technician, we will repair or replace free of charge the component of the product which is found to be defective.
- b. In the event of the component that you have paid the replacement cost is returned under normal use within one year at our premises, such components will be replaced free of charge component of the product which is found to be defective.

<Table. 1-1 Warranty periods for parts>

| Part Name        | Warranty Period       |
|------------------|-----------------------|
| Battery Charger  | <b>Six months</b>     |
| AC Adaptor       |                       |
| Battery          |                       |
| Remote Control   |                       |
| CD Software      | <b>Three months</b>   |
| Earphone         |                       |
| Pouch for camera | <b>Not applicable</b> |
| Cable            |                       |

## (4) Repair Claims

### 1) Repair free of charge

Essentially, the following causes of damage are covered:

- a. Failing to function properly under normal use during the limited warranty period.
- b. Repair Services free of charge is granted for the performance of a specific contract.

### 2) Repair charges

This warranty does not cover damage caused by:

- a. Defect occurring after the expiration of the Warranty Period.
- b. Damage due to negligence, immersion in water, impact, loss and tampering.
- c. Repair or alteration performed by any party other than Samsung authorized technicians.
- d. Misuse or other improper use of the power button.
- e. Exhausted parts such as batteries, lamps and filters, etc.
- f. Defect that occurs due to sand, dirt liquid, etc. entering the inside of the product casing.
- g. Consumable parts which have ceased working through normal use such as as earphone, battery discharger and various accessories.
- h. Products purchased second hand or any damage that occurs due to a second hand or repair performed by anyone other than Samsung or a Samsung authorized service station.
- i. Fire, earthquake, flood or other natural disasters.

The warranty cover period for components is listed below as per table 1-2.

<Table. 1-2 Warranty period for components>

| Types of consumer damages   |  | Compensation   |                               |  |
|---|--|--|-------------------------------|--|
| Failing to perform or failing to function properly under normal use   | Required for essential repair within 10 days after the purchase  | Replace the product or refund  | -                             |  |
|   | Required for essential repair within one month after the purchase  | Replace the product or repair at free of charge  | Repair charges                |  |
|   | Applicable to repair   | Problem occurred twice due to same malfunction   | Free of charge                |  |
|   |  | Problem occurred three times due to same malfunction   | Replace the product or refund | Repair charges   |
|   |  | Problem occurred four times due to some other malfunction  |                               |  |
| Not applicable to repair  | Within the period with respect to retaining components   | Replace the product at the cost of the depreciated value or refund its price added 10% of depreciation |                               |  |
| Failing to perform or failing to function properly as a result of willful intent and negligence of customer | Applicable repair  |  | Repair charges                |  |
|   | Not applicable to repair (Except for defects or malfunction as a result of fire or flood or other natural disasters) |  | Replacement charge            | Repair charge and replace the product at the cost of the depreciated value |

### 1-3 Precaution for disassembly and reassembly



#### CAUTION

1. Use the anti-static handling procedures included with the anti-static mat to ensure that there is no electrostatic discharge and component damage.
2. Static electricity is the biggest danger to the PCB parts you are about to disassemble or assemble. It's important to use your anti-static wrist strap to prevent damage to these components.
3. Dismantling a discrete electronic component such as main capacitor is dangerous.  
The capacitor contains high voltage, which can cause a severe electric shock if you touch it. This holds a charge even when the unit is not plugged in and is capable of delivering a fatal shock.
4. Using excessive force during disassembly and assembly can damage locking parts. Use care when handling "Locking parts" to avoid damage to FPCB or wire. Apply pressure only at the points designated in the maintenance instructions.
5. Due to increasing environmental concerns, a number of restrictions have been placed on the material content of electronic components and electronic assemblies. It requires utilizing Lead-Free (Pb-free) Soldering.
6. The following precautions must be observed when handling such components below.

<Table. 1-3 Precaution for disassembly and reassembly>

| Component                                | Precautions  |
|--|--|
| FPCB                                     | FPCB is brittle material. It can be easily damaged thus it should be handled with care. It is recommended to use wooden or plastic tweezers for manual placement.  |
| CCD (CMOS)<br>IR CUT Filter<br>LCD, LENS | Be careful not to stained your finger. It is recommended to use wooden or plastic tweezers for manual placement. Stain is often caused by the Alcohol used in these components. Find a clean, well-ventilated place to do your work. |
| PCB                                      | Use an anti-static mat as well as an anti-static wrist strap to avoid ESD damage to PCB.   |
| CONNECTOR                                | The use wooden or plastic tweezers is recommended for manual placement. Metal tip tweezer might make marks or damage.  |
| BARREL                                   | Always follow proper direction while assembling the components of the barrel.  |

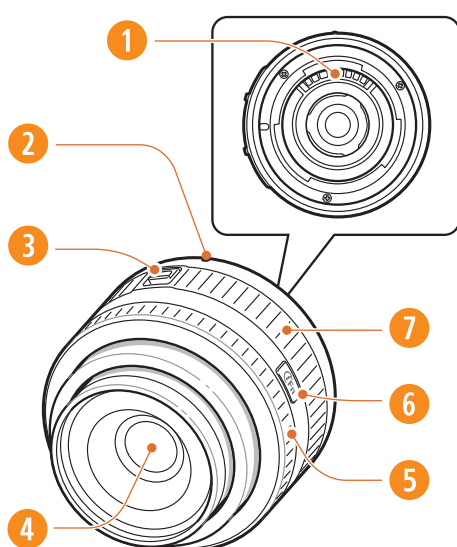
## 2. Product specifications

### 2-1 Specifications

<Table. 2-1 Lens specifications>

| Lens Name                | SAMSUNG 20-50 mm F3.5-5.6 ED II  |
|--------------------------|--|
| Image                    |                   |
| Focal Length             | 20 ~ 50 mm (equivalent to 30.8 ~ 77 mm in 35 mm format)  |
| Elements in Group        | 9 elements in 8 groups (1 aspheric lens, 1 low dispersive lens) included                           |
| Angle of View            | 70.2° ~ 31.4°  |
| Aperture                 | F3.5 ~ 5.6 (minimum: F22), (Number of Blades: 7, Circular Aperture Diaphragm)                      |
| Mount Type               | Samsung NX mount   |
| Optical Image Stabilizer | Not included   |
| Minimum Focus Distance   | 0.28 m ~ infinity  |
| Maximum Magnification    | Approx. 0.22X  |
| i-Scene                  | Supported (Beauty Shot, Portrait, Children, Backlight, Landscape, Sunset, Dawn, Beach&Snow, Night) |
| Lens Hood                | Not included   |
| Filer Size               | 40.5 mm  |
| Max. Diameter X Length   | 63.2 x 39.8 mm   |
| Weight                   | Approx. 119 g  |
| Operating Temperature    | 0 - 40 °C  |
| Operating Humidity       | 5 - 85 %   |

### 2-2 Layouts







|   |                           |
|---|---------------------------|
| 1 | Lens information contacts |
| 2 | Lens mount index          |
| 3 | Zoom lock switch          |
| 4 | Lens                      |
| 5 | Focus ring                |
| 6 | i-Function button         |
| 7 | Zoom ring                 |

Fig 2-1

## 2-3 Accessories information

<Table. 2-2 Packing items information>

|               | Packing items image  | Description      | Parts No.                          |
|---------------|--|------------------|------------------------------------|
| Packing items |   | Lens             | SAMSUNG 20-50 mm<br>F3.5-5.6 ED II |
|               |   | Lens cap         | AD97-20008A                        |
|               |   | Lens mount cover | AD63-03989A                        |
|               |  | User manual      | AD68-06644A                        |

<Table. 2-3 Optional items information>

|                | image   | Description   |             |
|----------------|---|---|-------------|
| Optional items |  | Leather case  | AD69-02834A |
|                |  | Filter<br>You can create different colored effects by attaching filters to your lens. |             |



## 3. Disassembly and reassembly

### 3-1 Disassembly

1. Remove the six screws.



Fig. 3-1

2. Remove the MOUNT COVER.



Fig. 3-2

**Caution**

Reference: ADJ Washer is used for adjusting the PUNT. While some Lens may have ADJ Washer installed, others may not. The installation of ADJ Washer may vary depending on the model. Usually the quantity of ADJ Washer installed on Lens varies from 0 to 2. Verify the quantity of ADJ Washer when disassembling. Make sure to install the same quantity of ADJ Washer when reassembling. Note that in case of replacing the Sub Barrel Assy, install the correct quantity of ADJ Washer depending on each Assy.

3. Remove the MOUNT and ADJ WASHER..



Fig. 3-3

4. Remove the REAR COVER ASSY.



Fig. 3-4

## Reference

Explanation of each FPCB name and bad symptoms.

- J1** Damage of IRIS FPCB:  
Not working IRIS.
- J2** Damage of MFPI FPCB:  
Not working MF.
- J3** Damage of AFPR FPCB:  
Not working initial AF. (Error 00 Occurs -> Mechanical Error)
- J4** Damage of AF FPCB:  
Not working AF.
- J5** Damage of I-Function FPCB:  
Not selection i-Fn.
- J6** Damage of Contact FPCB:  
Occurs Interface fail to body Lens.

5. Remove the two screws and six FPCB as FPCB in **Fig.A** .

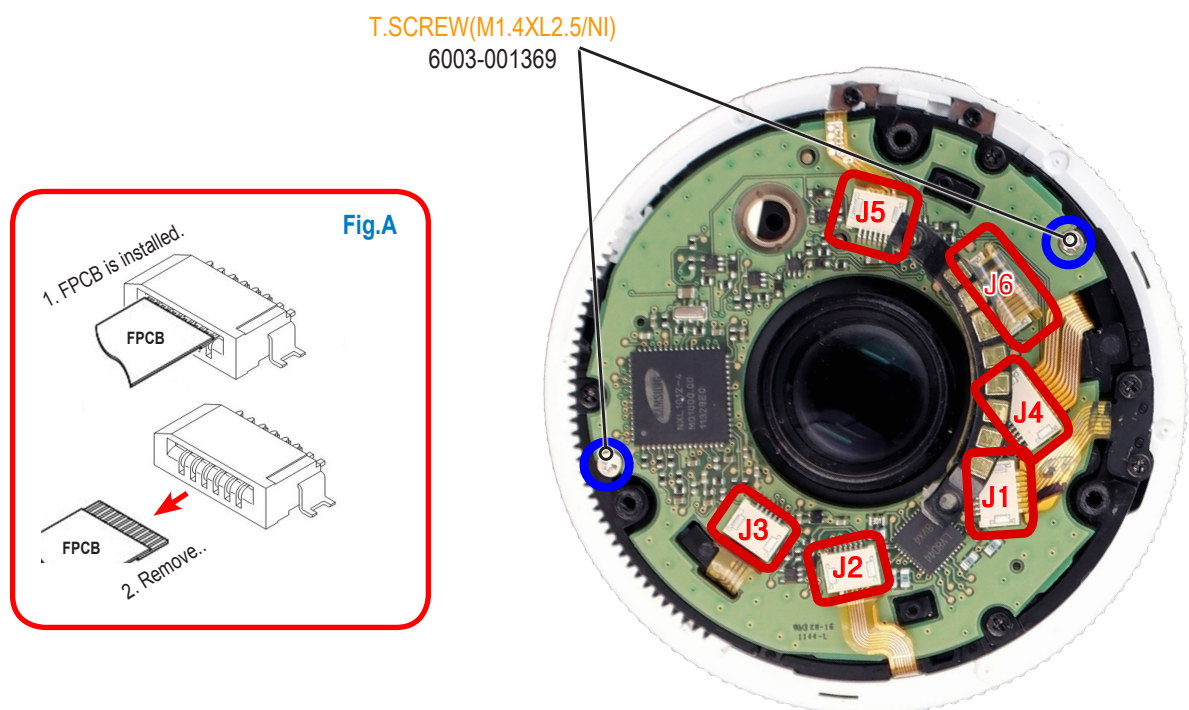


Fig. 3-5

6. Remove the LENS PCB ASSY.

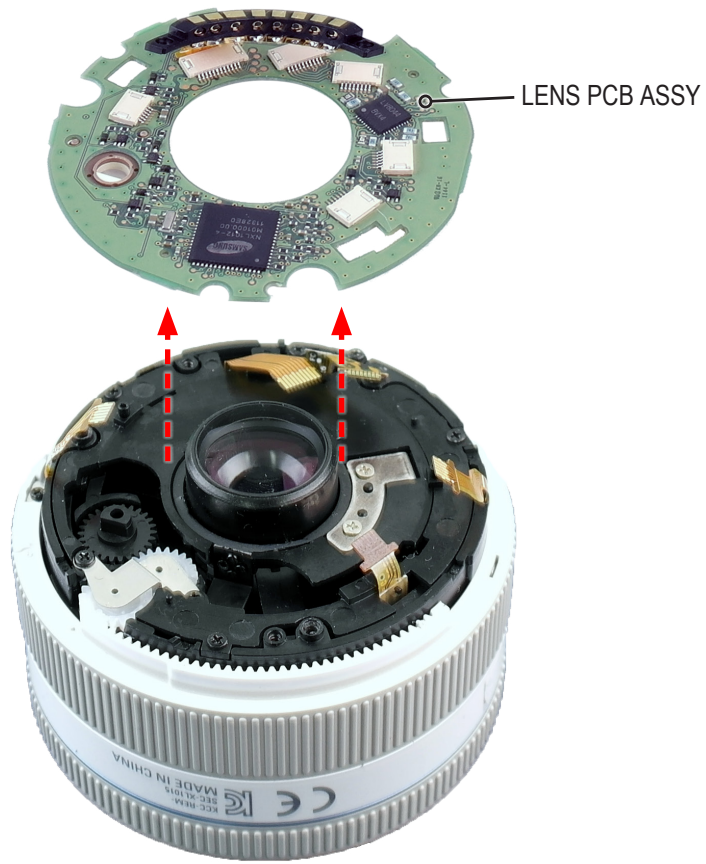


Fig. 3-6

7. Remove the P-GEAR 3.



Fig. 3-7

8. Remove the three screws.

T.SCREW(M1.4XL3.5/BLK)  
6003-001630

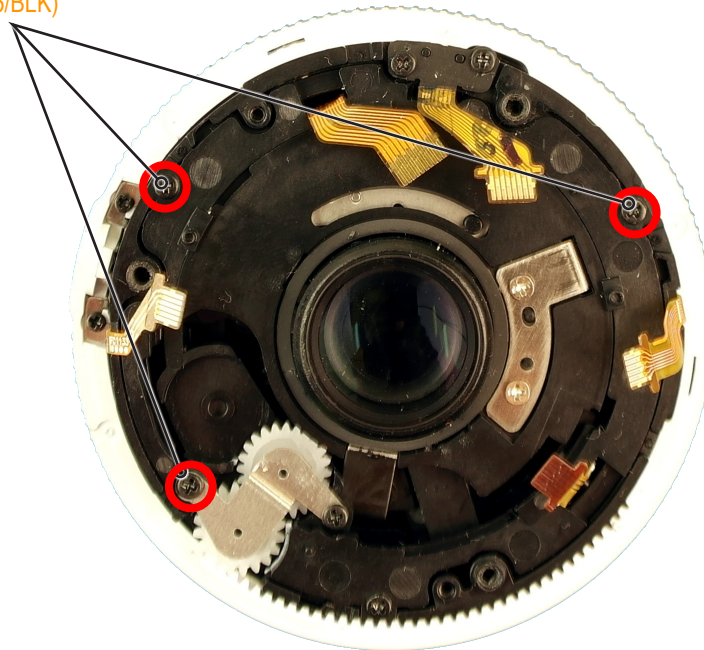


Fig. 3-8

9. Remove the AF create to TELE state of BARREL to turn the ZOOM RING ASSY by counterclockwise direction as Fig.B.

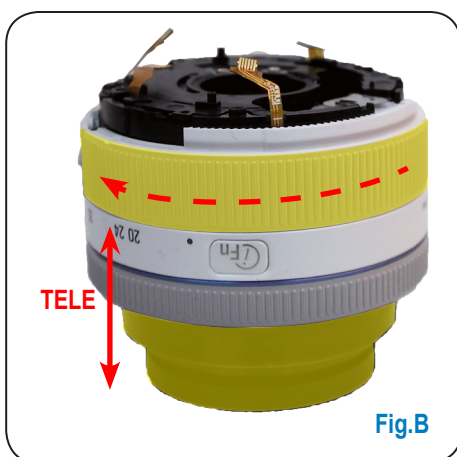


Fig.B



Fig. 3-9

10. Remove the ZOOM RING ASSY.



Fig. 3-10

11. Remove the two screws.

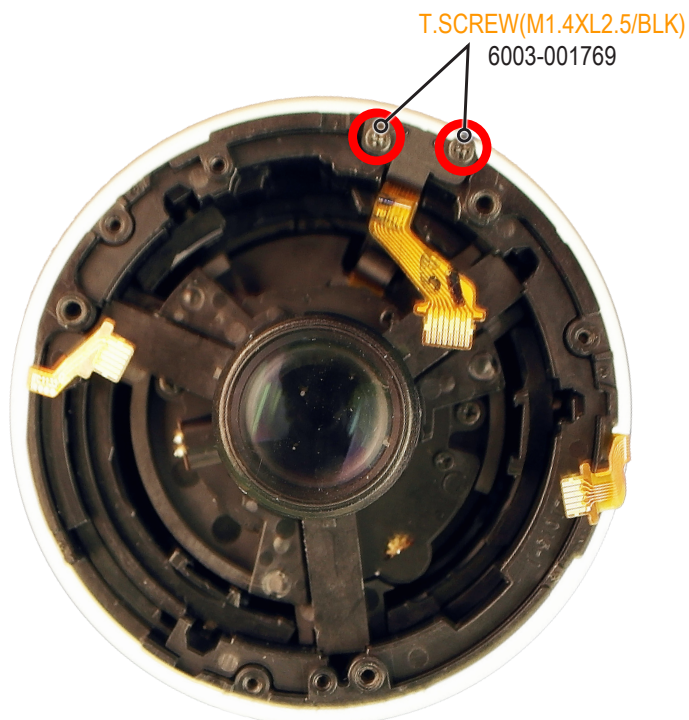


Fig. 3-11

12. Remove the two ZOOM ROLLER and two screws as Fig.C.

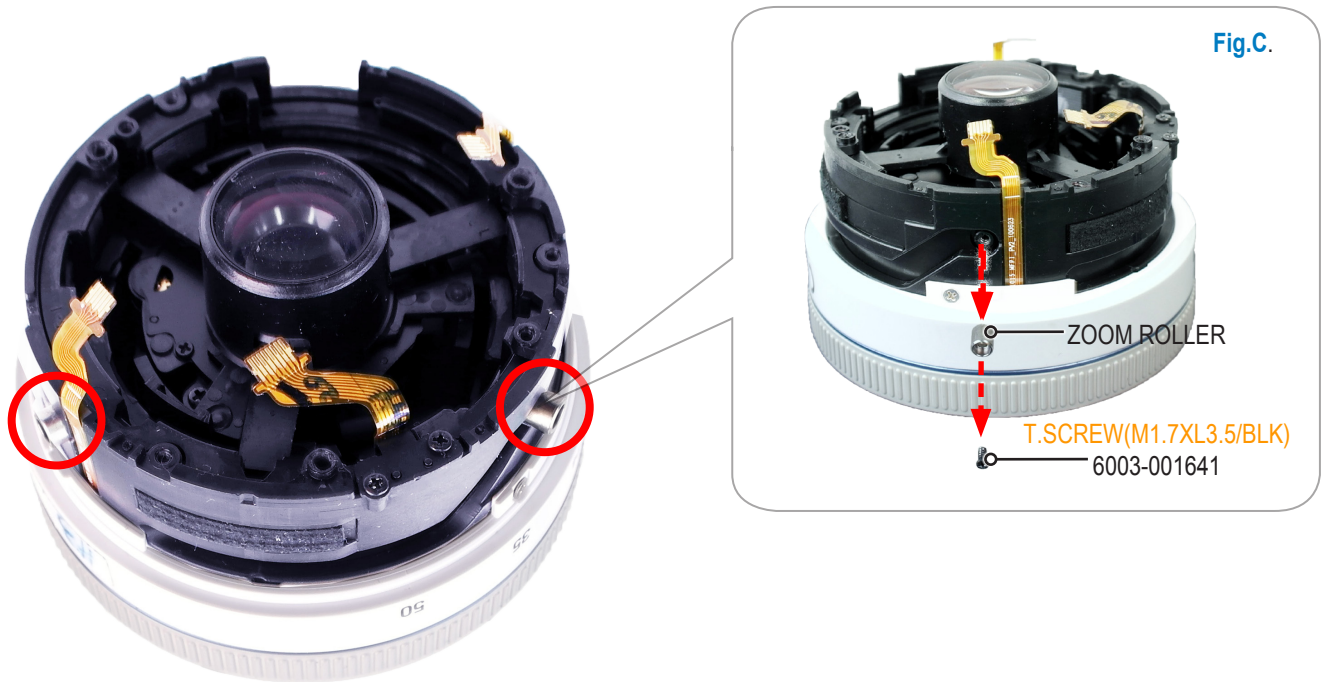


Fig. 3-12

13. Be careful to three LOCKs in FRONT COVER ASSY when removing on the FRONT COVER ASSY.



Fig. 3-13

14. Remove the OUTER BARREL ASSY and SUB BARREL ASSY.



Fig. 3-14

15. Remove the 2ND LENS ASSY.



Fig. 3-15



### 3-2 Reassembly

1. Assemble the 2ND LENS ASSY by matching the marked points in [Fig.D](#)



Fig. 3-16

2. Assemble the OUTER BARREL by matching the marked points in [Fig.E](#) and [Fig.F](#).

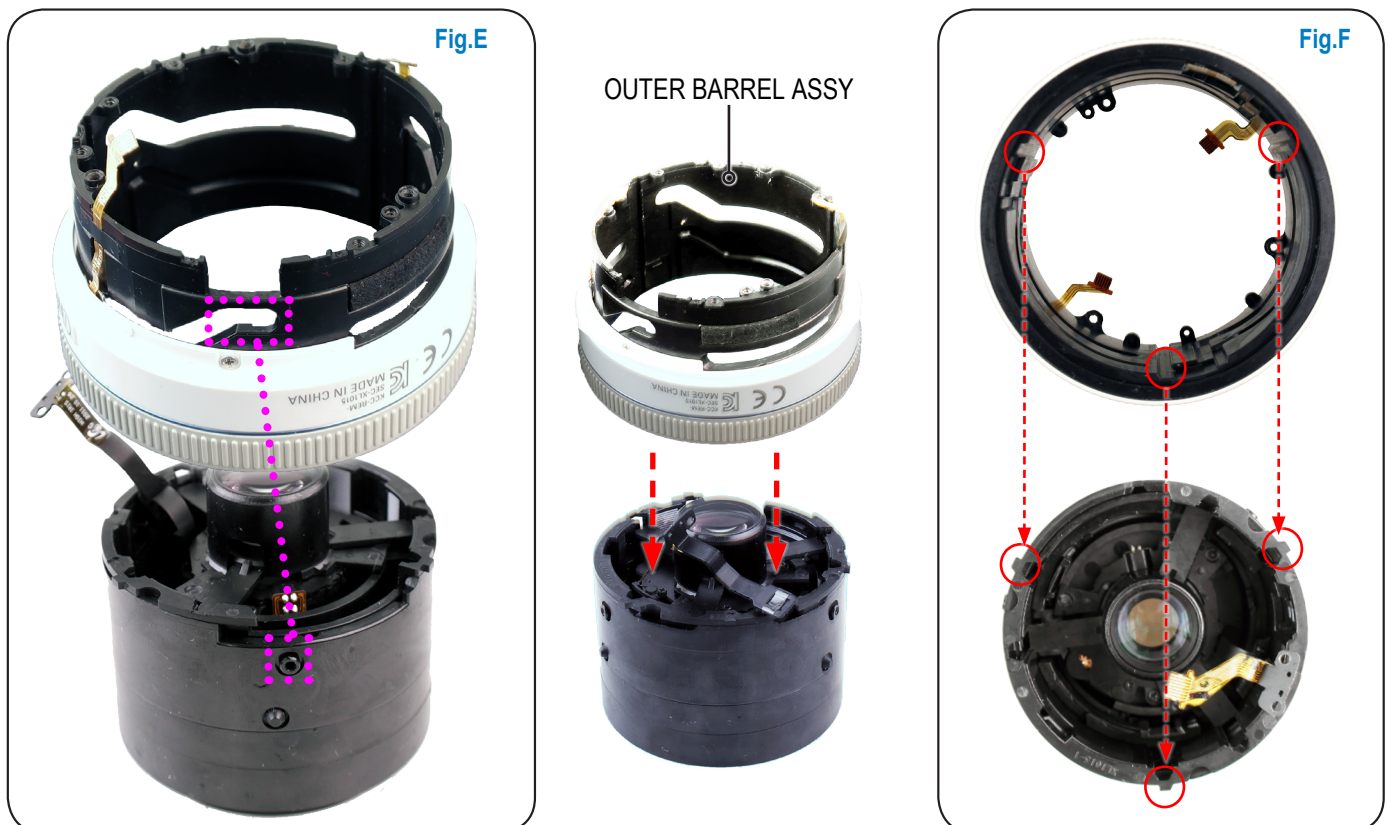


Fig. 3-17

3. Tighten the two screws.

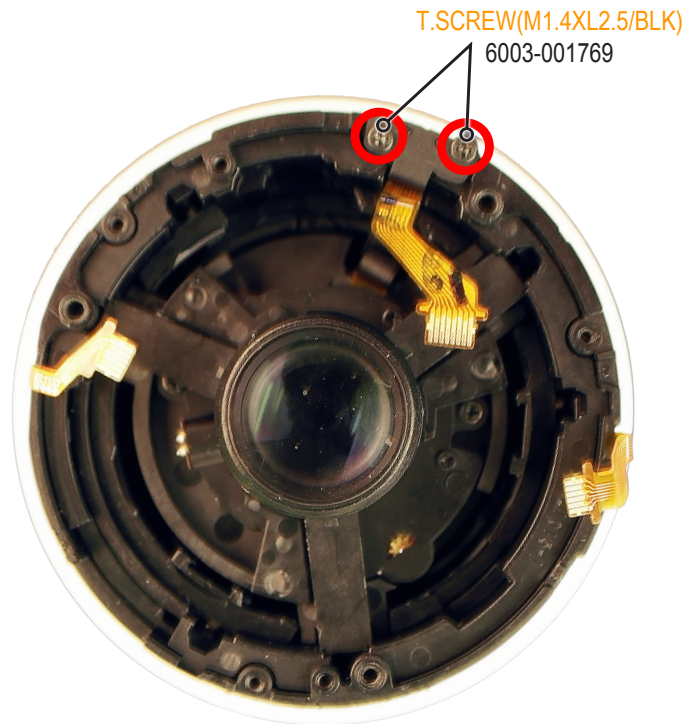


Fig. 3-18

4. After assemble the two ZOOM ROLLER and tighten the two screws as Fig.G.

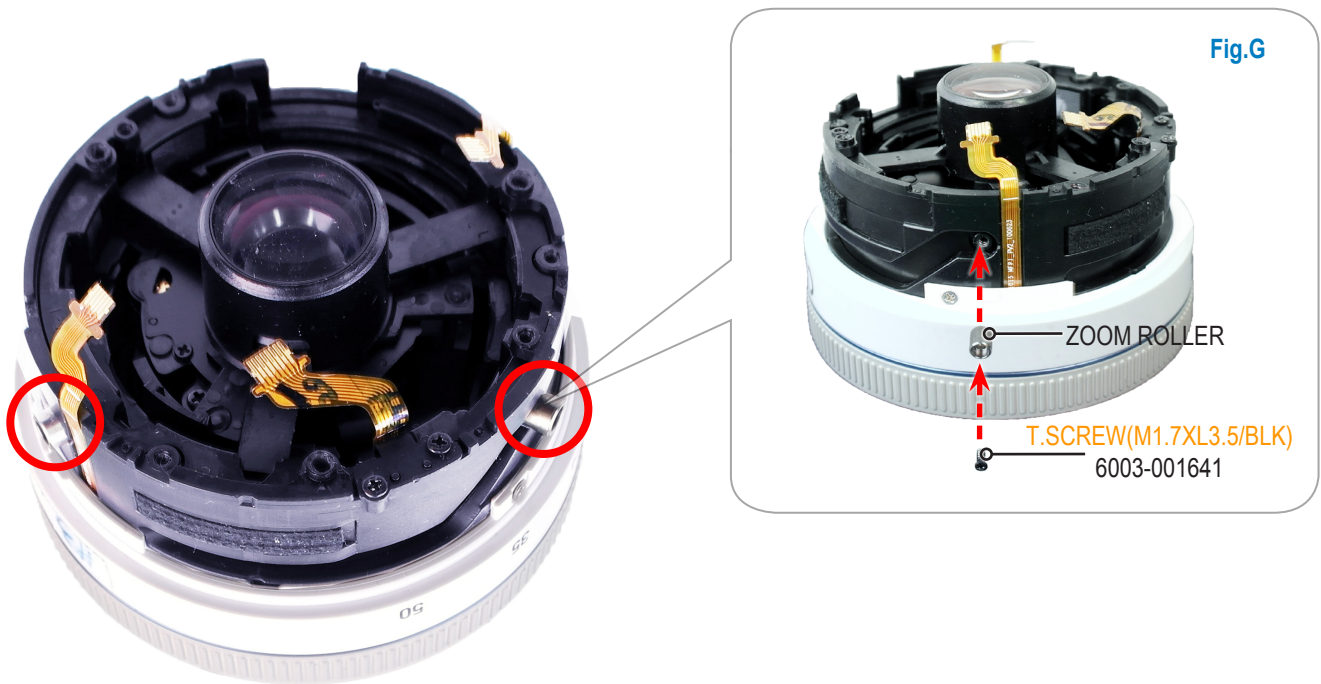


Fig. 3-19

5. Assemble the FRONT COVER ASSY by matching the marked points in Fig.H.

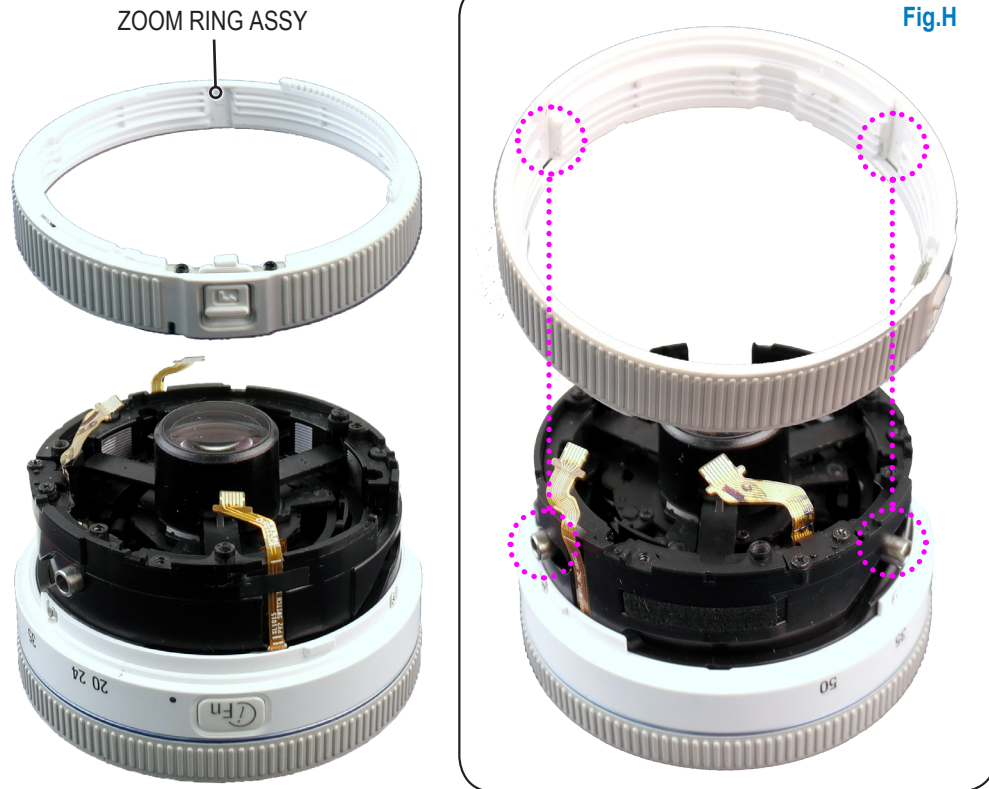


Fig. 3-20

6. Assemble the AF BASE ASSY by matching the marked points in Fig.I.

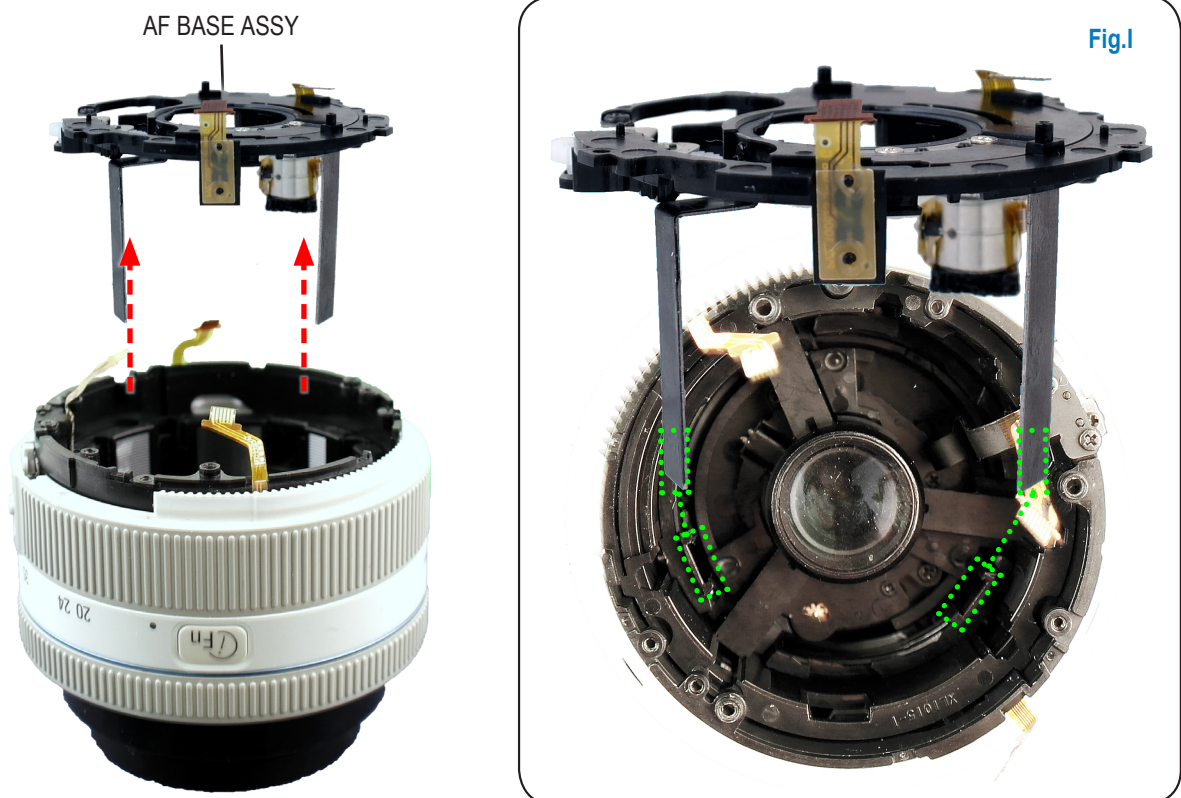


Fig. 3-21

7. Tighten the three screws.

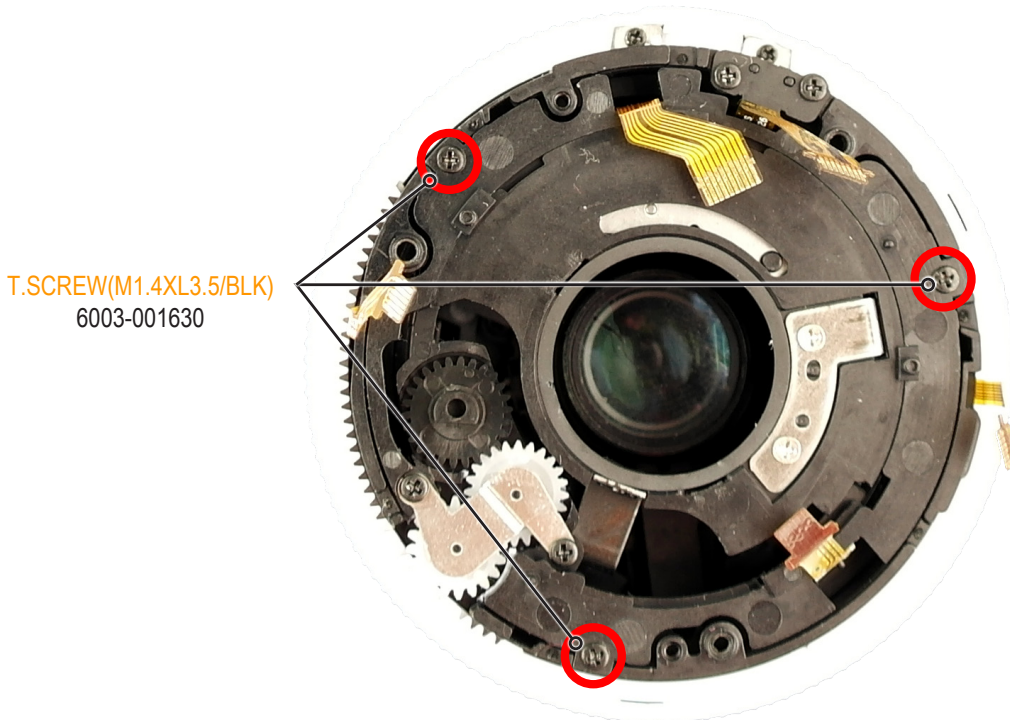


Fig. 3-22

8. Assemble the P-GEAR 3 by matching the points in illustrated.

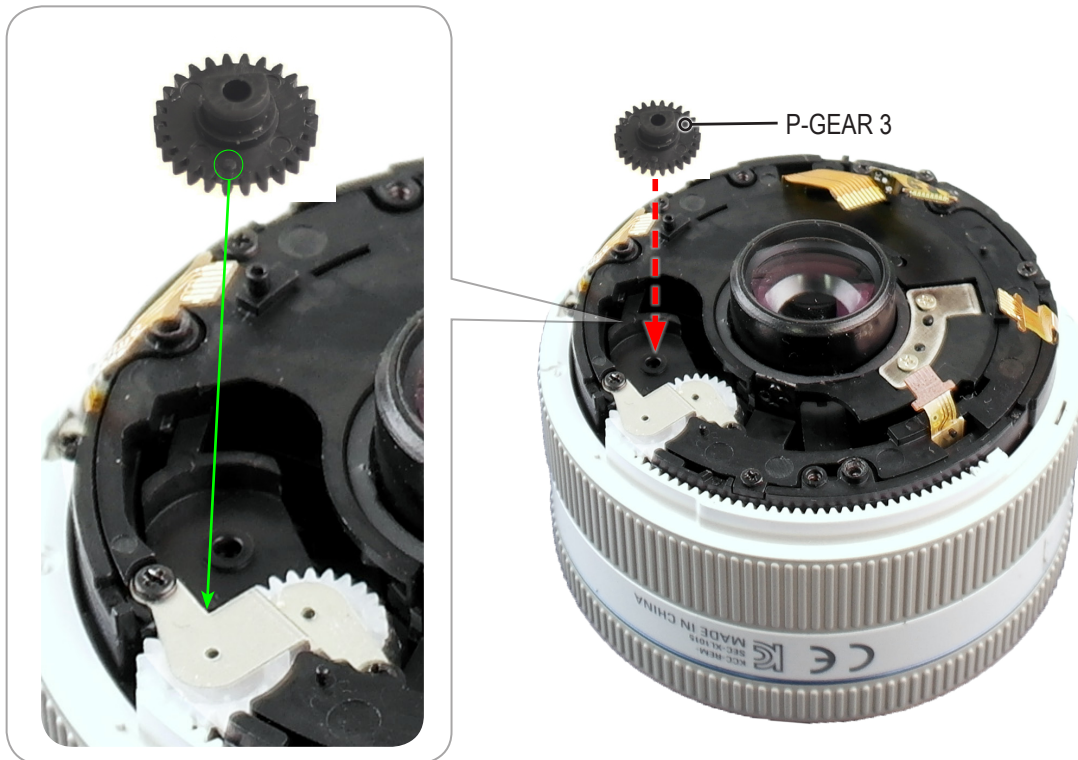


Fig. 3-23

9. Check the status of assembly of P-GEAR 3 and then assemble the LENS PCB ASSY by matching the ③ points.

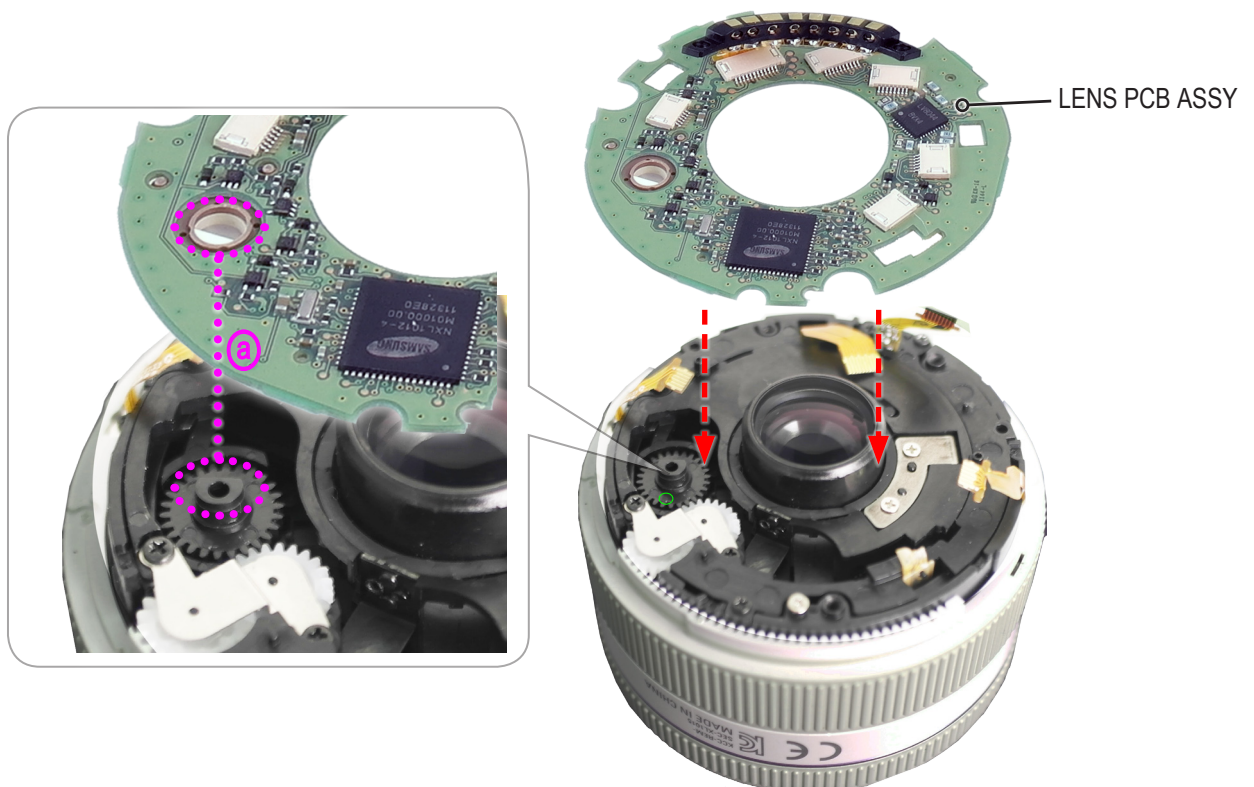


Fig. 3-24

**! Reference**

Explanation of each FPCB name and bad symptoms.

- J1** Damage of IRIS FPCB:  
Not working IRIS.
- J2** Damage of MFPI FPCB:  
Not working MF.
- J3** Damage of AFPR FPCB:  
Not working initial AF. (Error 00 Occurs -> Mechanical Error)
- J4** Damage of AF FPCB:  
Not working AF.
- J5** Damage of I-Function FPCB:  
Not selection i-Fn.
- J6** Damage of Contact FPCB:  
Occurs Interface fail to body Lens.

10. Assemble the six FPCB as **Fig J** and tighten the two screws.

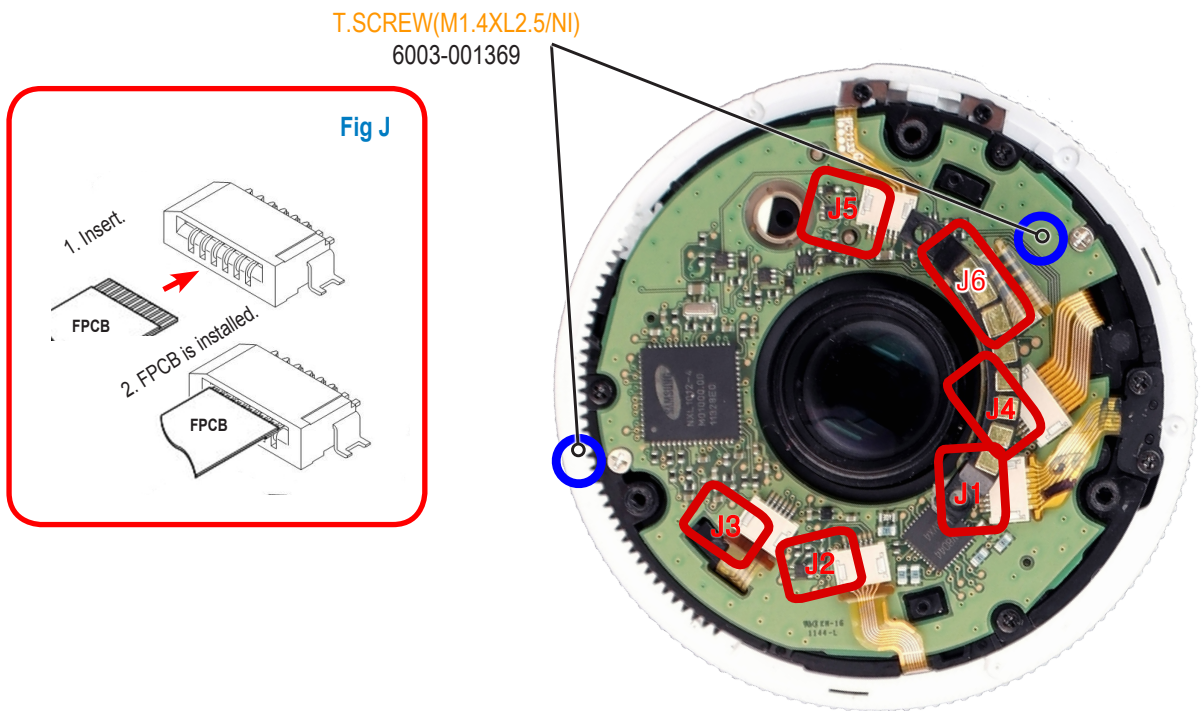


Fig. 3-25

11. Assemble the REAR COVER ASSY by matching the points in illustrated.

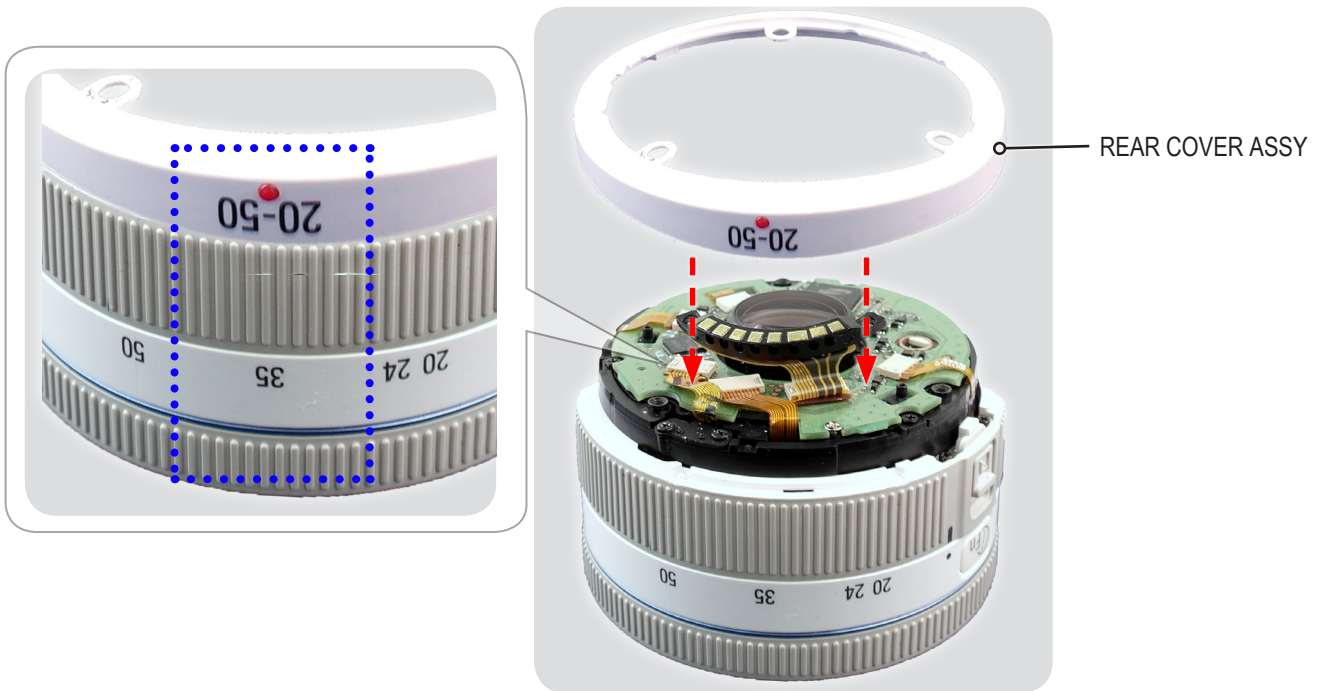


Fig. 3-26

12. Before installing the ADJ WASHER, align the three positions on ADJ WASHER with the three positions on the unit. The guides can be seen in mage below as blue dotted lines. Once the correct alignment is accomplished, install it to the unit. Before installing the MOUNT, align the three positions on MOUNT with the three positions on the unit. The guides can be seen in mage below as blue dotted lines. Also make sure to align the position on the MOUNT labeled by ⓐ with the position on the MOUNT labeled by ⓑ as illustrated in Fig.K. Once the correct alignment is accomplished, install it to the unit.

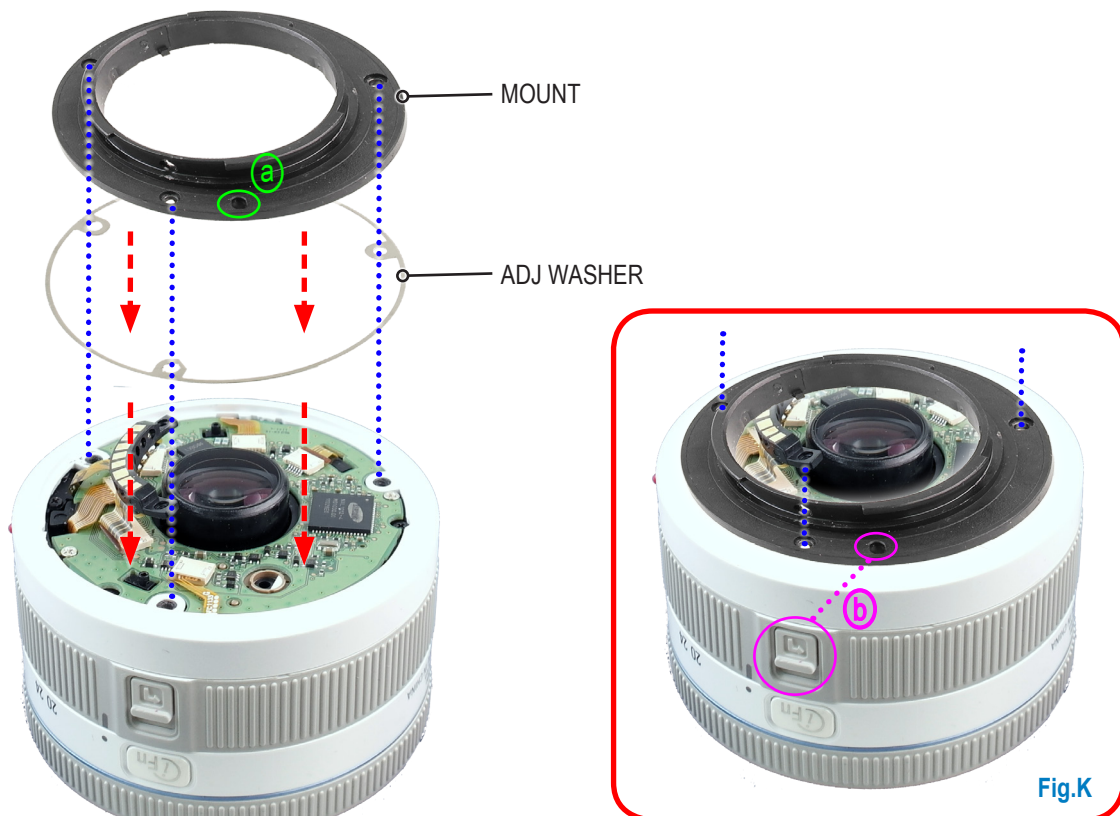


Fig. 3-27

13. Tighten the three screws.

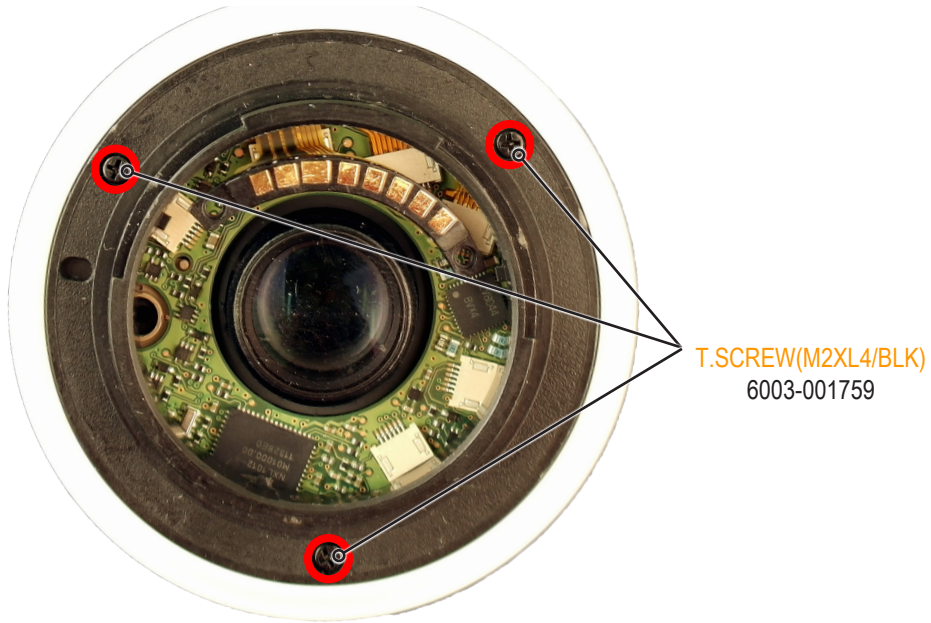


Fig. 3-28

14. Assemble the MOUNT COVER by matching the ㉓, ㉔ points in illustrated.



Fig. 3-29



15. Tighten the three screws.



Fig. 3-30

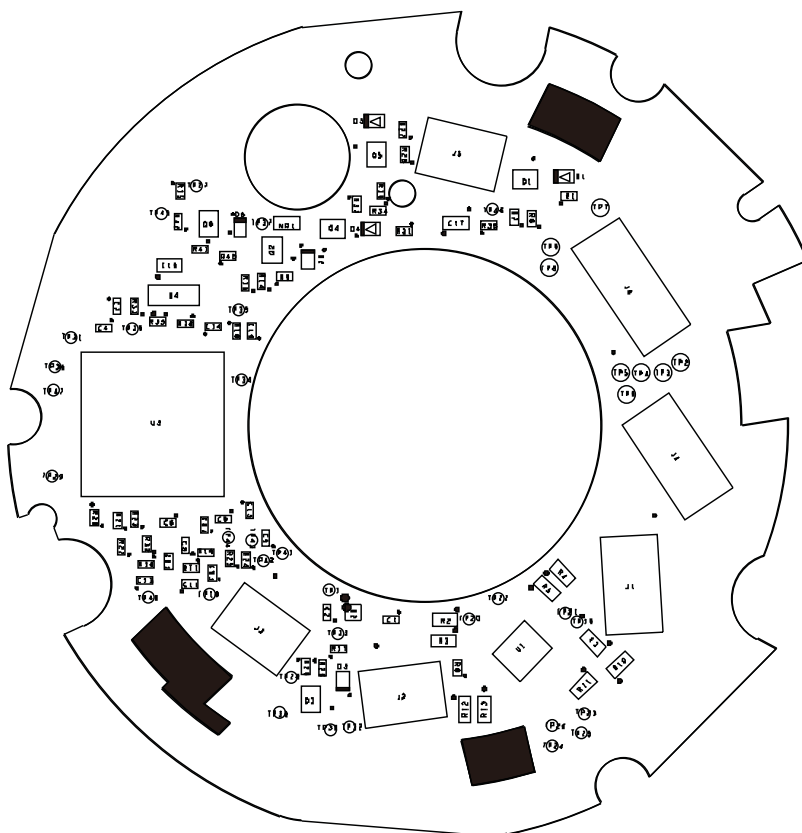
16. Assemble the FRONT COVER ASSY by matching the marked points in Fig.L.



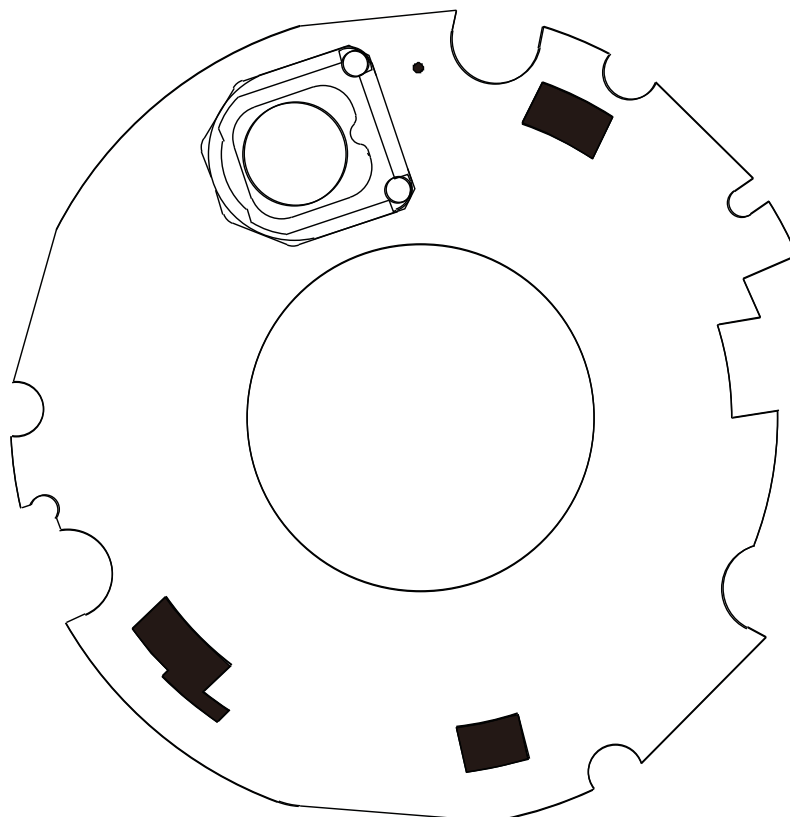
Fig. 3-31

## 4. PCB diagrams

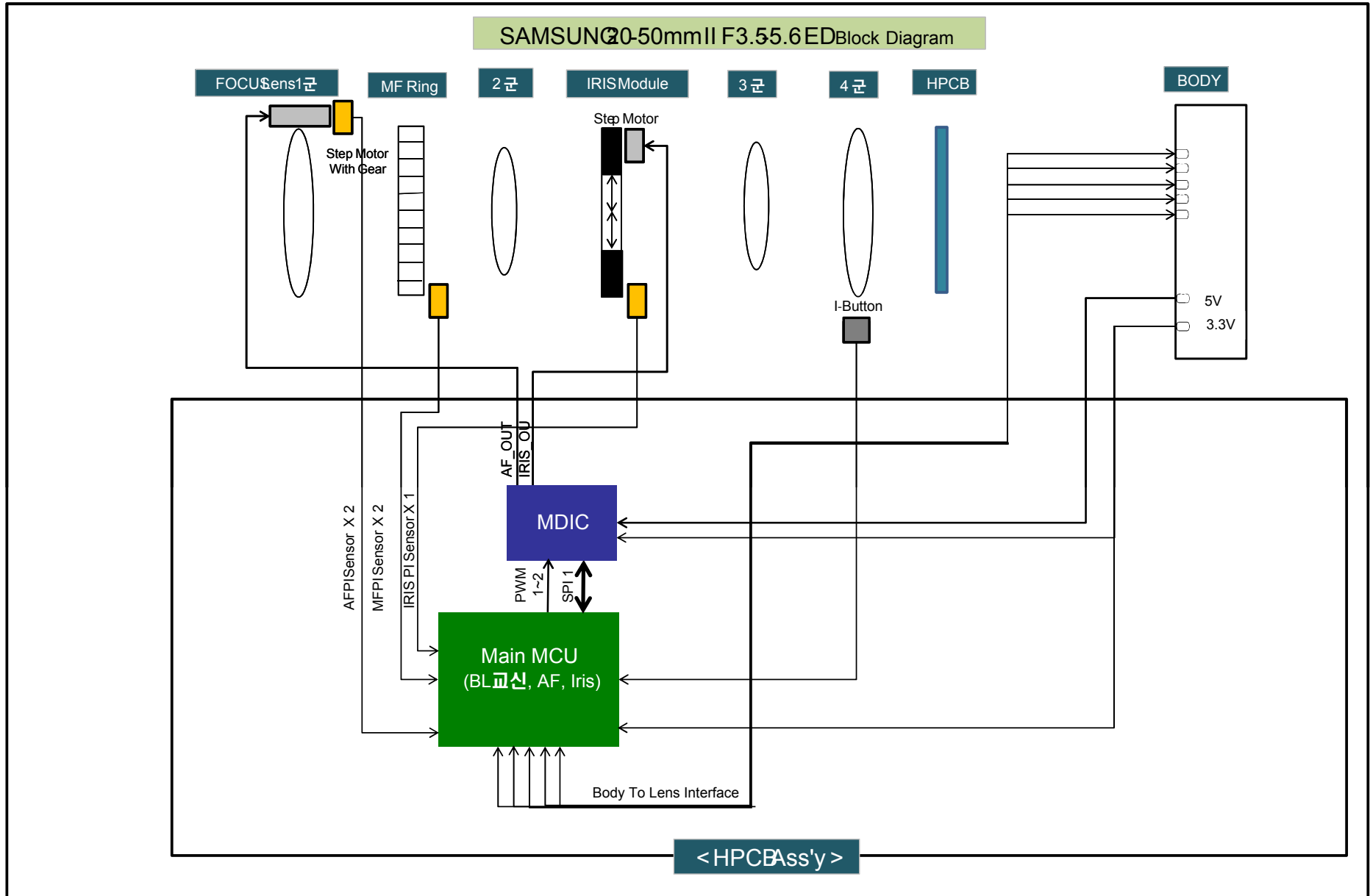
### 4-1 Main PCB(Top)



### 4-2 Main PCB(Bottom)



# 5. Block diagram



---

## 6. Firmware update

---

### 6-1 Before updating the firmware

---

1. Make sure you use fully charged batteries. It is recommended that you use an AC adaptor for cameras that have an AC adaptor.  
**If fully charged batteries are not used, or the power is cut during a firmware update, the lens may be seriously damaged, resulting in lens malfunction.**
2. Before updating the lens firmware, make sure that you format the memory card on your PC or camera and then download the necessary firmware file. Since the memory card may not be suitable for lens firmware update, depending on the model, check before you proceed with updating the lens firmware.
3. Download the lens firmware file into the root directory of the memory card. Also check that the lens firmware file downloaded has the correct file name for the camera's lens.
4. To update lens firmware there should be sufficient free space on the memory card for the size of the lens firmware file.  
If the lens firmware update is not completed because of insufficient memory space, delete some of the files saved on the memory to secure more free space and then try again.
5. Do not operate the camera, remove the batteries, or cut the power while updating lens firmware. Operate the camera only after the lens firmware update is complete.
6. Once the lens firmware is updated, it is not possible to restore the earlier version of the lens firmware. When the lens firmware is updated, all the camera settings are set to their default values. Since all the files stored in the internal memory will be deleted, ensure that files are copied to other storage devices before updating the lens firmware.

## 6-2 How to update the firmware



If the batteries are completely discharged during the lens firmware update, camera or lens malfunction may occur. Make sure to use fully charged batteries for safety. Ensure that you format the memory card before using it, and then save the lens firmware file on the formatted memory card.

1. Download the lens firmware file into the root directory of the memory card.
  - \* When you update the lens firmware, the lens which you update must be attached on the camera.
  - If you can not attach the lens to the camera, you can not update it.
  - \* The file name of lens firmware is "lens.bin"
  - If there is a difference between attached lens and lens firmware file, you can find the "File Error" message.
2. Insert the memory card on which the lens firmware file is to be saved and then turn on the camera.
3. Press the menu button.
4. Move to "Setup Menu 3" (Press the left button of 4-way key.)
5. Select the "Firmware Update"  
(After pressing the left button of 4-way key, press the OK button for 1 time.)

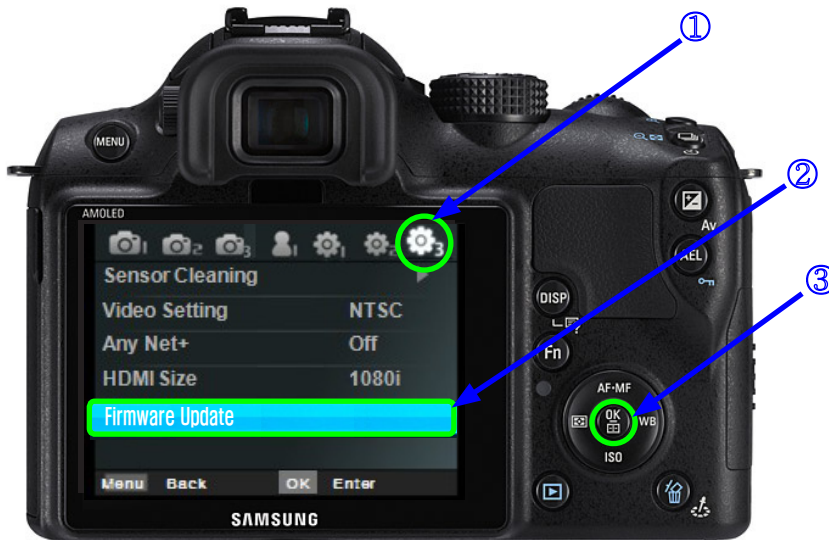


Fig. 6-1

6. Select the "Lens Firmware" . (Press the OK button for 1 time)

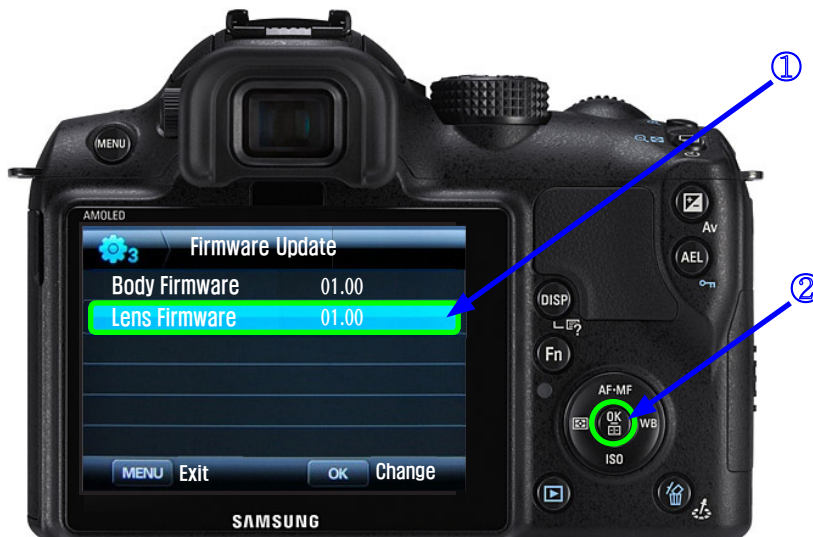


Fig. 6-2

7. Select “Yes” . (After pressing the down button of 4-way key, press the OK button for 1 time.)

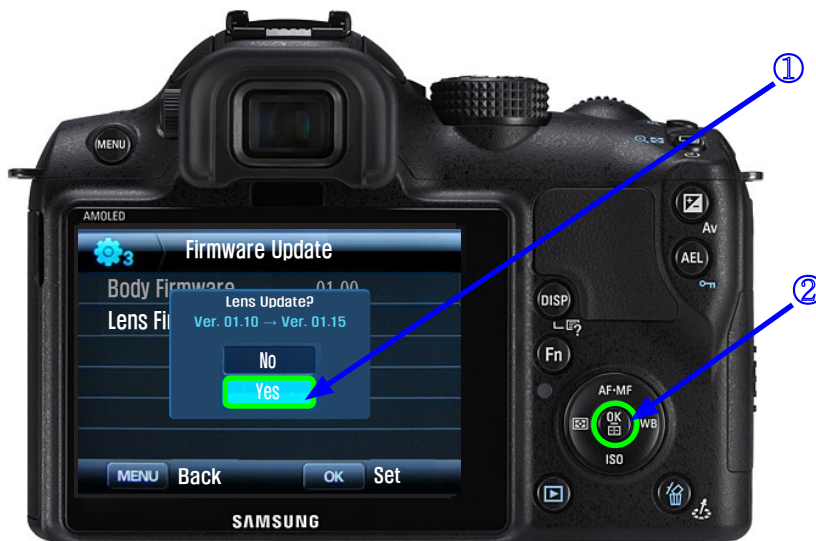


Fig. 6-3

8. The progress of the Firmware update will be displayed on the LCD and the update will proceed.



Fig. 6-4

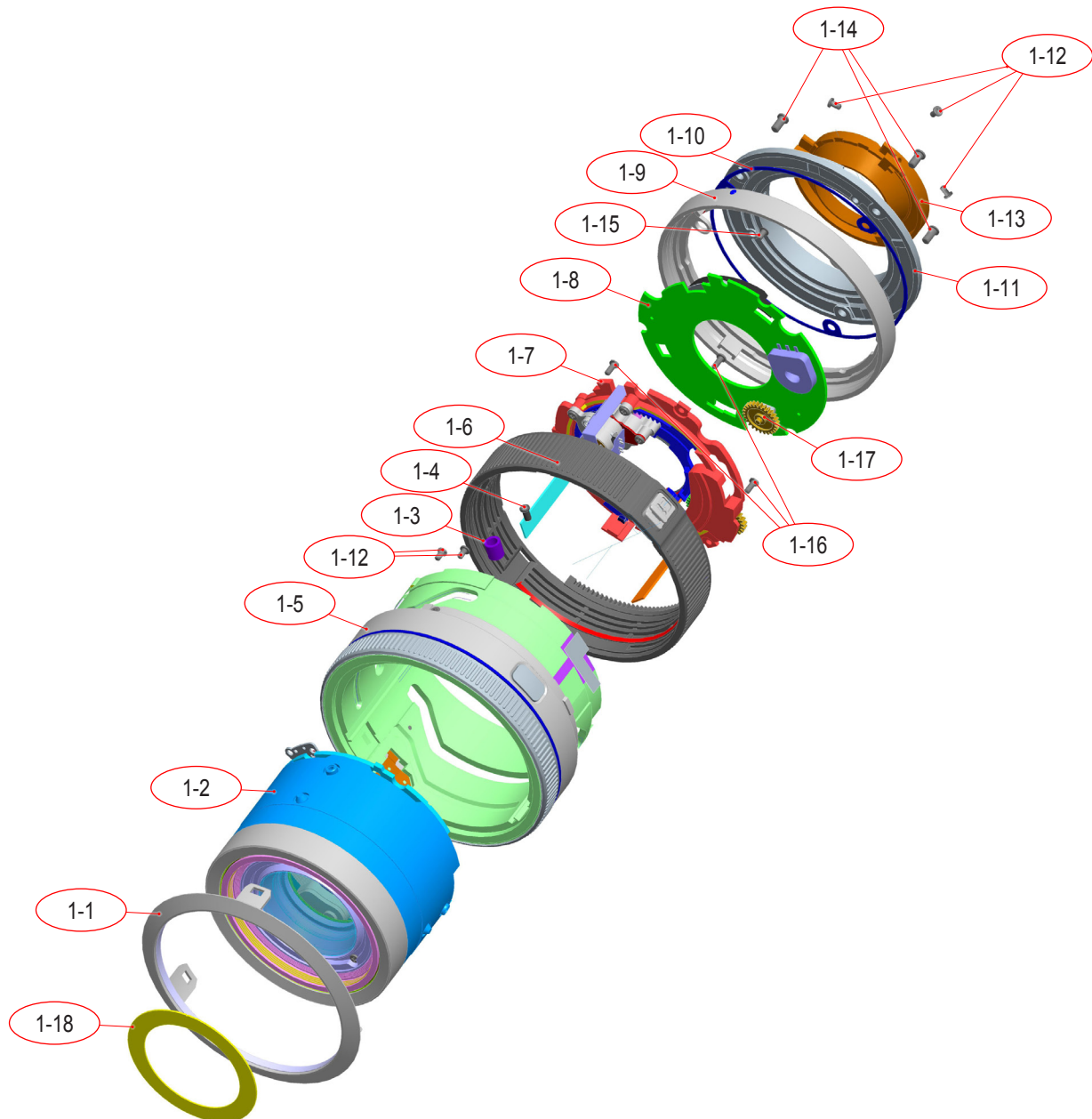
9. After finishing it, you can find the “Update Completed” message on the LCD.



Fig. 6-5

## 7. Exploded view and parts list

### 7-1 TOTAL ASSEMBLY

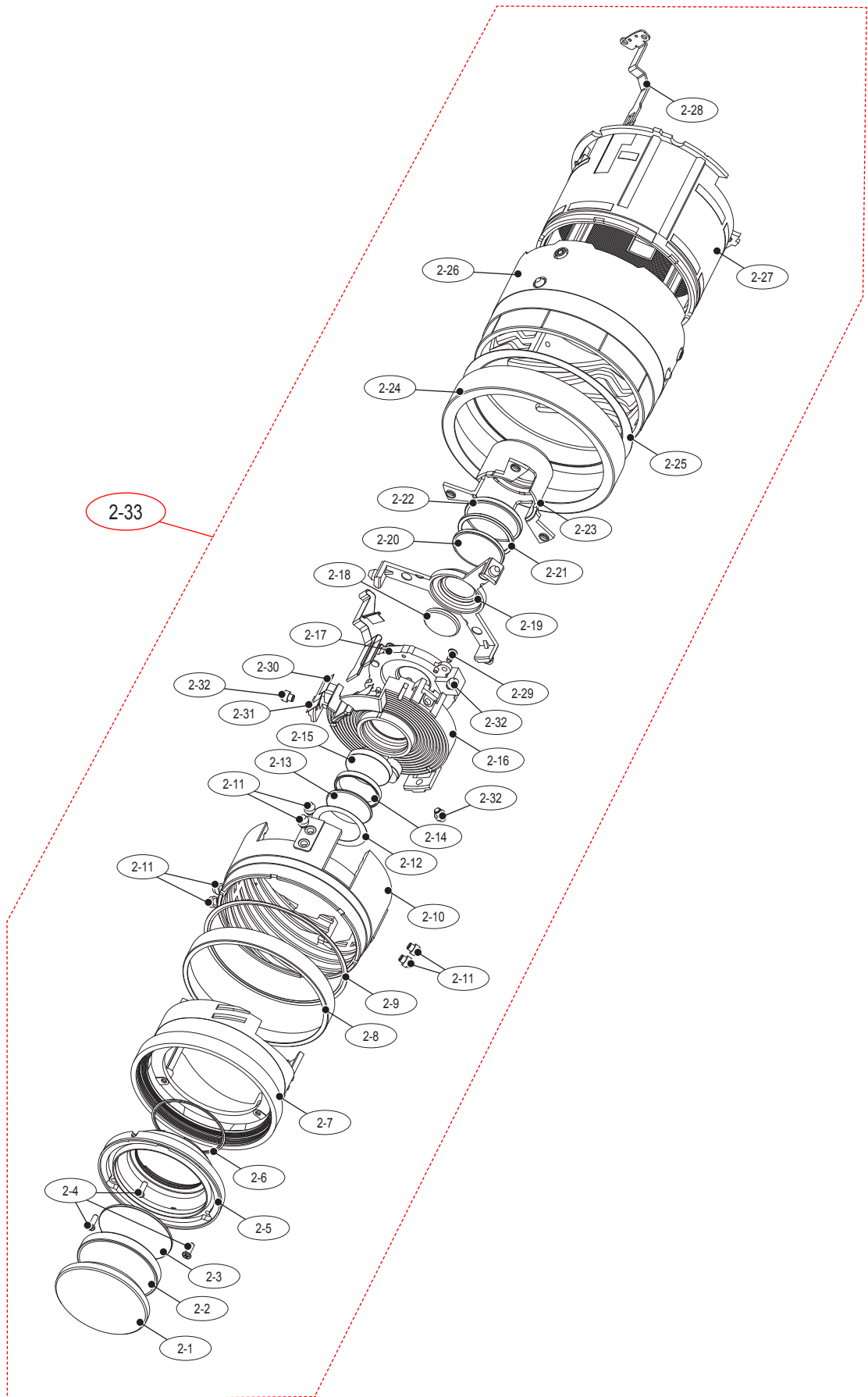


## Exploded View and Parts List

| Loc. No | Parts No.   | Description          | Q ty | Available | Remark |
|---------|-------------|----------------------|------|-----------|--------|
| 1-1     | AD97-19902A | FRONT COVER ASSY     | 1    | 0         |        |
| 1-2     | AD97-19885A | SUB BARREL ASSY      | 1    | 0         |        |
| 1-3     | AD66-00817A | ZOOM ROLLER          | 2    | 0         |        |
| 1-4     | 6003-001641 | SCREW 1735-25        | 2    | 0         |        |
| 1-5     | AD97-22546A | OUTER BARREL ASSY_BK | 1    | 0         | BLACK  |
|         | AD97-22546B | OUTER BARREL ASSY_WT | 1    | 0         | WHITE  |
| 1-6     | AD97-22548A | ZOOM RING ASSY_BK    | 1    | 0         | BLACK  |
|         | AD97-22548B | ZOOM RING ASSY_WT    | 1    | 0         | WHITE  |
| 1-7     | AD97-19889A | AF BASE ASSY         | 1    | 0         |        |
| 1-8     | AD92-01383A | LENS PCB ASSY        | 1    | 0         |        |
| 1-9     | AD97-22547A | REAR COVER ASSY_BK   | 1    | 0         | BLACK  |
|         | AD97-22547B | REAR COVER ASSY_WT   | 1    | 0         | WHITE  |
| 1-10    | AD61-04780A | ADJ WASHER           | 1    | 0         |        |
| 1-11    | AD61-04894A | MOUNT                | 1    | 0         |        |
| 1-12    | 6003-001769 | SCREW 1425-25        | 5    | 0         |        |
| 1-13    | AD63-05333B | MOUNT COVER          | 1    | 0         |        |
| 1-14    | 6003-001759 | SCREW 2040-30        | 3    | 0         |        |
| 1-15    | 6003-001369 | SCREW 1425-25(HT0.3) | 2    | 0         |        |
| 1-16    | 6003-001630 | SCREW 1435-25        | 3    | 0         |        |
| 1-17    | AD66-00809A | P-GEAR 3             | 1    | 0         |        |
| 1-18    | AD61-05728A | NAME PLATE           | 1    | 0         |        |



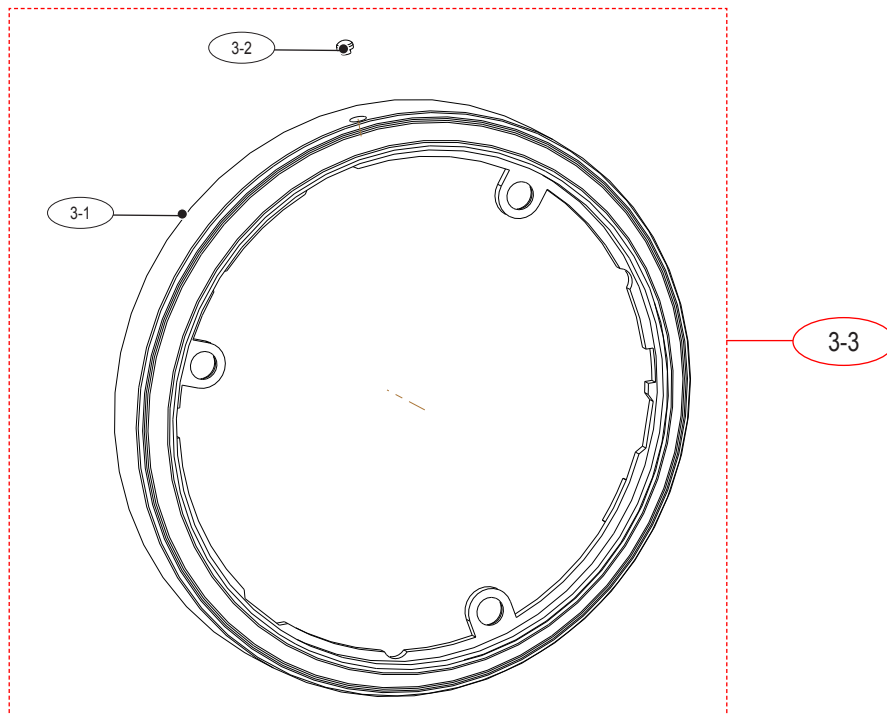
# 7-2 SUB BARREL ASSEMBLY



## Exploded View and Parts List

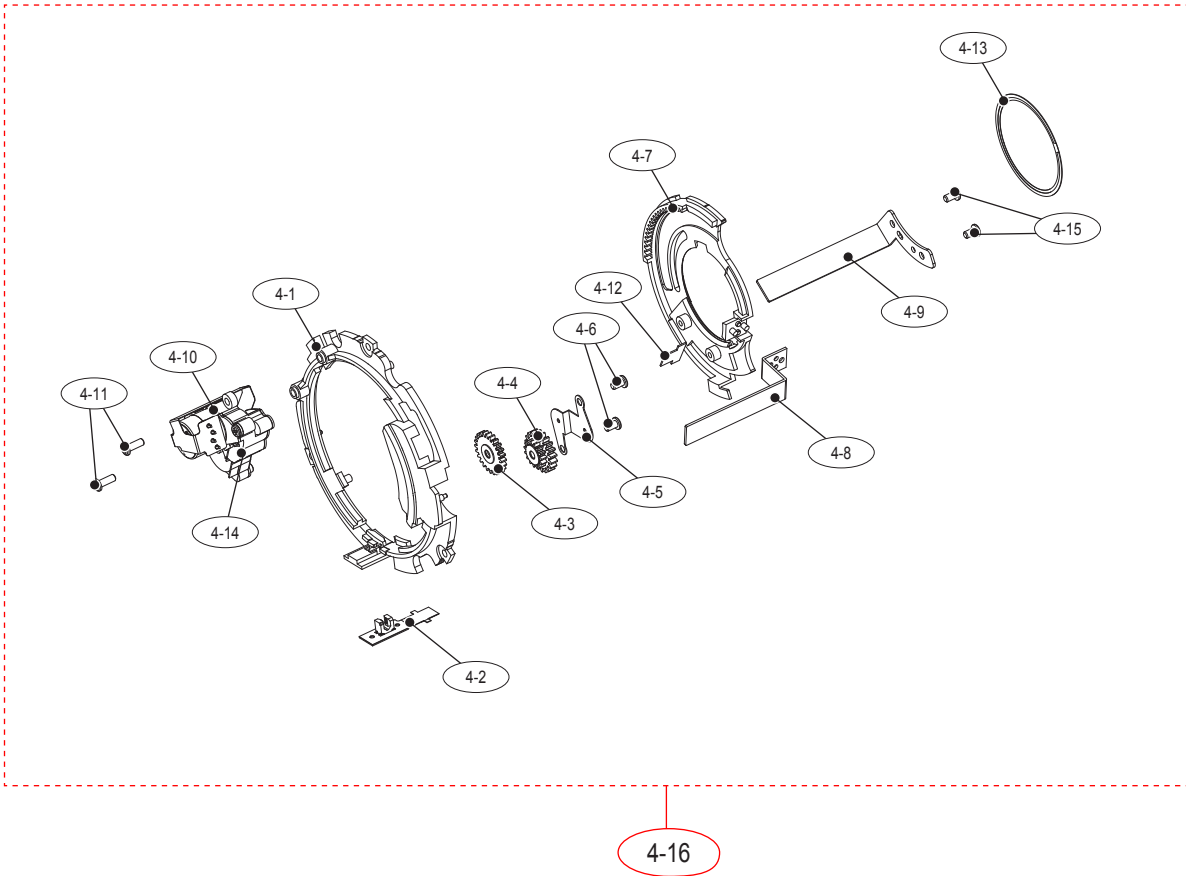
| Loc. No | Parts No.   | Description      | Q ty | Available | Remark |
|---------|-------------|------------------|------|-----------|--------|
| 2-1     | AD67-01793A | G1 LENS          | 1    | X         |        |
| 2-2     | AD67-01794A | G2 LENS          | 1    | X         |        |
| 2-3     | AD67-01795A | G3 LENS          | 1    | X         |        |
| 2-4     | 6003-001657 | SCREW 1440-25    | 3    | X         |        |
| 2-5     | AD67-01764A | 1ST LENS BARREL  | 1    | X         |        |
| 2-6     | AD61-04777A | G3 MASK          | 1    | X         |        |
| 2-7     | AD67-01769A | FILTER BARREL    | 1    | X         |        |
| 2-8     | AD61-04782A | DECO RING 1ST    | 1    | X         |        |
| 2-9     | AD63-05336A | SHEILD 1ST       | 1    | X         |        |
| 2-10    | AD67-01765A | 1ST MOVER BARREL | 1    | X         |        |
| 2-11    | AD66-00816A | MOVE PIN 1ST     | 6    | X         |        |
| 2-12    | AD61-04778A | G4 MASK          | 1    | X         |        |
| 2-13    | AD67-01796A | G4 LENS          | 1    | X         |        |
| 2-14    | AD60-00084A | G4 SPCAER        | 1    | X         |        |
| 2-15    | AD67-01801A | G5/6 LENS        | 1    | X         |        |
| 2-16    | AD67-01766A | 2ND MOVER BARREL | 1    | X         |        |
| 2-17    | AD97-19660A | IRIS ASSY        | 1    | X         |        |
| 2-18    | AD67-01799A | G7 LENS          | 1    | X         |        |
| 2-19    | AD67-01767A | 3RD MOVER BARREL | 1    | X         |        |
| 2-20    | AD67-01802A | G8 LENS          | 1    | X         |        |
| 2-21    | AD60-00083A | G8 SPACER        | 1    | X         |        |
| 2-22    | AD67-01800A | G9 LENS          | 1    | X         |        |
| 2-23    | AD67-01768A | 4TH MOVER BARREL | 1    | X         |        |
| 2-24    | AD61-04783A | DECO RING CAM    | 1    | X         |        |
| 2-25    | AD63-05337A | SHIELD CAM       | 1    | X         |        |
| 2-26    | AD67-01771A | CAM BARREL       | 1    | X         |        |
| 2-27    | AD67-01770A | GUIDE BARREL     | 1    | X         |        |
| 2-28    | AD61-04816A | FPC PLATE        | 1    | X         |        |
| 2-29    | 6003-001706 | SCREW 1430-25    | 2    | X         |        |
| 2-30    | AD63-05549A | IRIS FPCB TAPE2  | 1    | X         |        |
| 2-31    | AD63-05550A | IRIS FPCB TAPE3  | 1    | X         |        |
| 2-32    | AD66-00840A | MOVE PIN 3RD     | 3    | X         |        |
| 2-33    | AD97-19885A | SUB BARREL ASSY  | 1    | O         |        |

## 7-3 REAR COVER ASSEMBLY



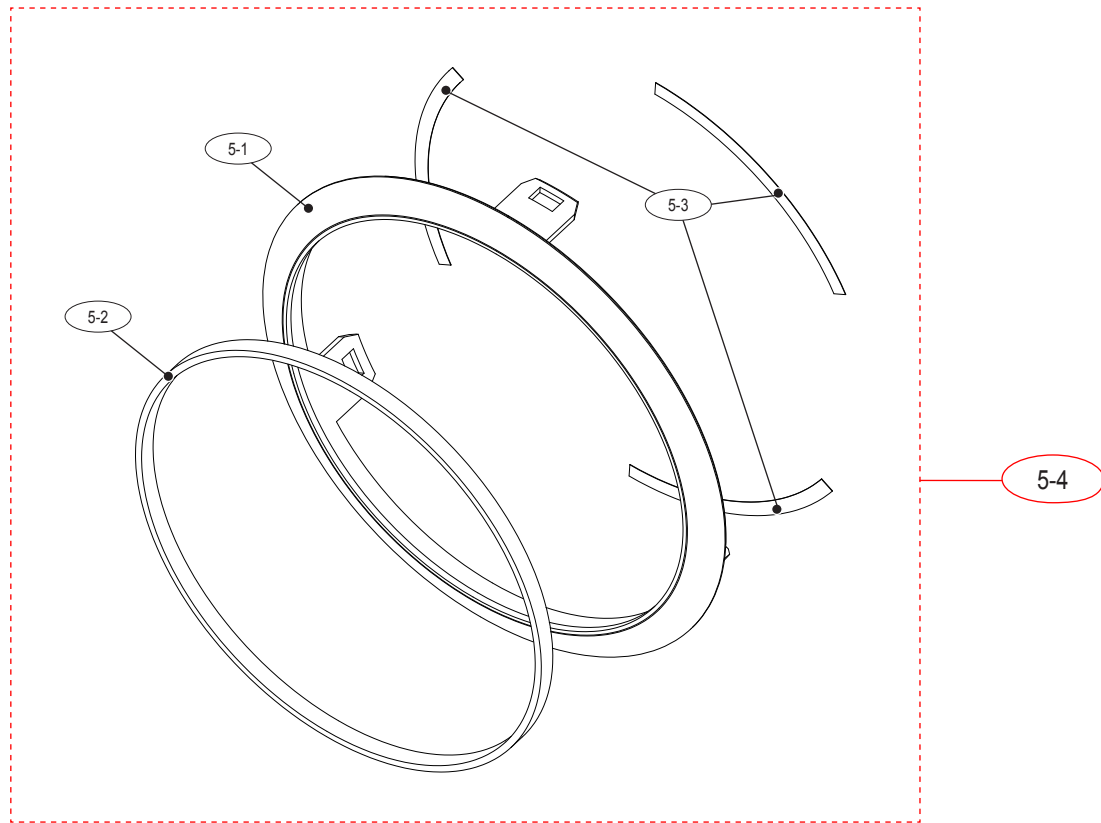
| Loc. No | Parts No.   | Description        | Q ty | Available | Remark |
|---------|-------------|--------------------|------|-----------|--------|
| 3-1     | AD67-02493A | REAR COVER_BK      | 1    | X         | BLACK  |
|         | AD67-02493D | REAR COVER_SL      | 1    | X         | WHITE  |
| 3-2     | AD66-00680A | SET POINT          | 1    | X         |        |
| 3-3     | AD97-22547A | REAR COVER ASSY_BK | 1    | O         | BLACK  |
|         | AD97-22547B | REAR COVER ASSY_WT | 1    | O         | WHITE  |

## 7-4 AF BASE ASSEMBLY



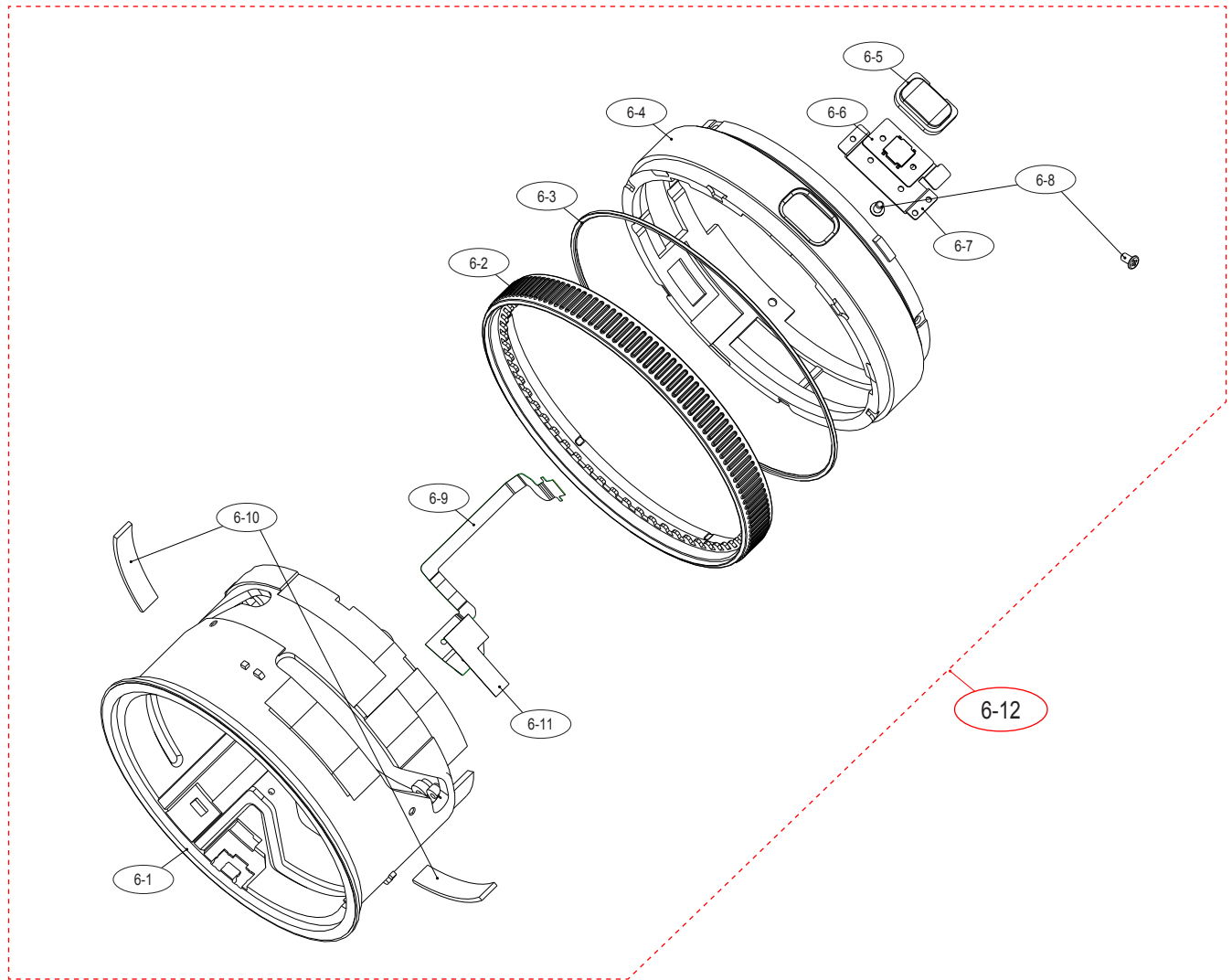
| Loc. No | Parts No.   | Description         | Q ty | Available | Remark |
|---------|-------------|---------------------|------|-----------|--------|
| 4-1     | AD61-04748A | AF MODULE BASE      | 1    | X         |        |
| 4-2     | AD92-01349A | AF PI FPCB          | 1    | X         |        |
| 4-3     | AD66-00723A | GEAR-1              | 1    | X         |        |
| 4-4     | AD66-00724A | GEAR-2              | 1    | X         |        |
| 4-5     | AD61-04779A | P-PLATE             | 1    | X         |        |
| 4-6     | 6003-001769 | SCREW 1425-25       | 1    | X         |        |
| 4-7     | AD67-01775A | FOCUSING GEAR       | 1    | X         |        |
| 4-8     | AD66-00812A | F GEAR LEVER 1      | 1    | X         |        |
| 4-9     | AD66-00813A | F GEAR LEVER 2      | 1    | X         |        |
| 4-10    | AD97-19658A | MOTOR ASSY          | 1    | X         |        |
| 4-11    | 6003-001657 | SCREW 1440-25       | 2    | X         |        |
| 4-12    | AD63-05512A | FOCUSING GEAR SHEER | 1    | X         |        |
| 4-13    | AD64-03073A | FOCUSING GEAR MASK  | 1    | X         |        |
| 4-14    | AD63-05511A | AF MODULE SHEET     | 1    | X         |        |
| 4-15    | 6003-001706 | SCREW 1430-25       | 2    | X         |        |
| 4-16    | AD97-19889A | AF BASE ASSY        | 1    | O         |        |

## 7-5 FRONT COVER ASSEMBLY



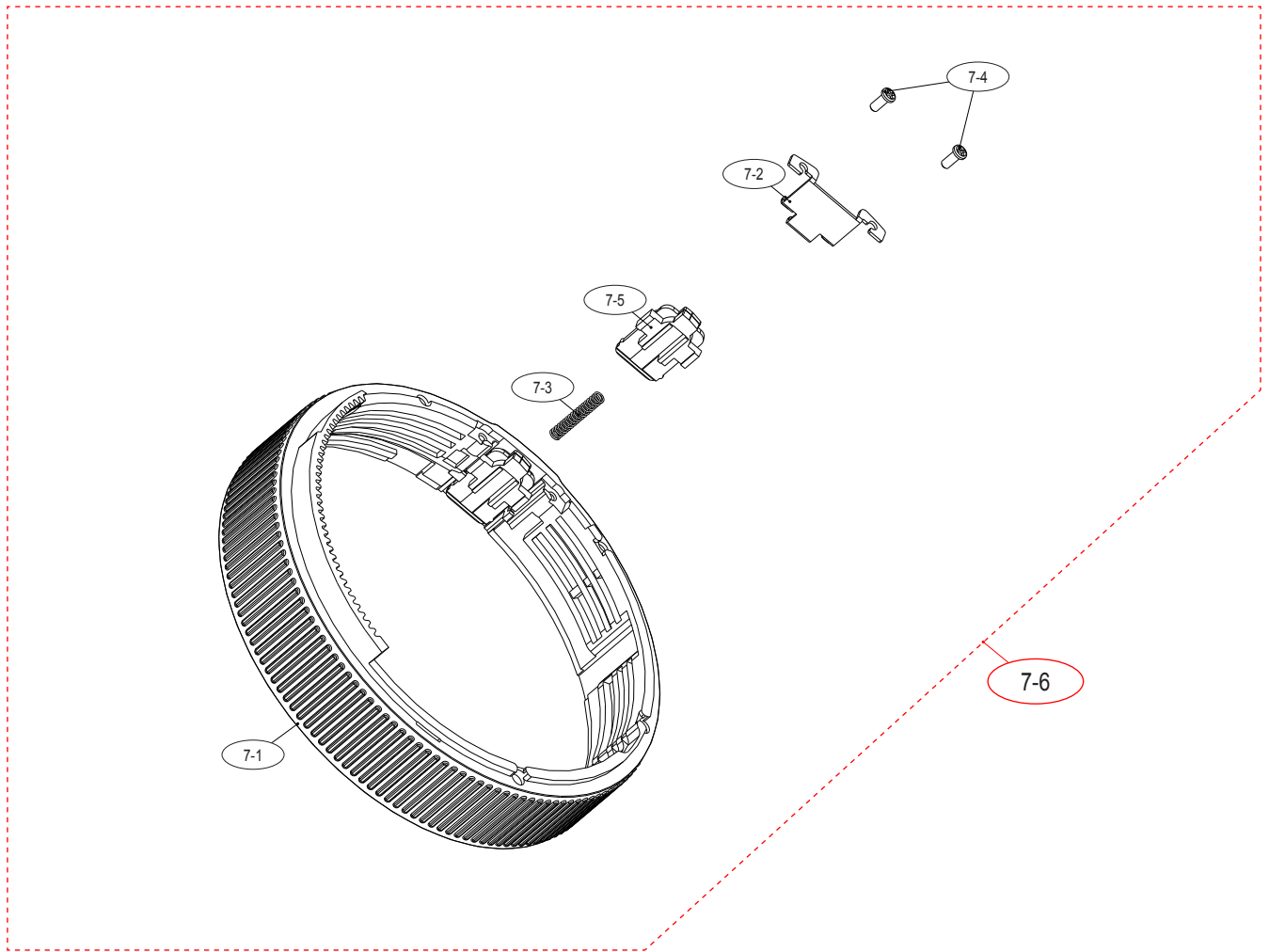
| Loc. No | Parts No.   | Description      | Q ty | Available | Remark |
|---------|-------------|------------------|------|-----------|--------|
| 5-1     | AD63-05250A | FRONT COVER      | 1    | X         |        |
| 5-2     | AD63-05360A | SHIELD TAPE 3RD  | 1    | X         |        |
| 5-3     | AD63-05551A | FIX BARREL TAPE  | 3    | X         |        |
| 5-4     | AD97-19902A | FRONT COVER ASSY | 1    | O         |        |

## 7-6 OUTER BARREL ASSEMBLY



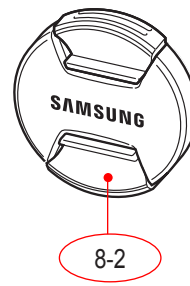
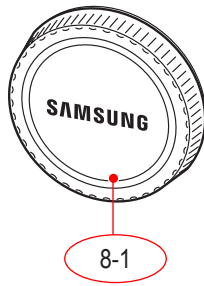
| Loc. No | Parts No.   | Description       | Q ty | Available | Remark |
|---------|-------------|-------------------|------|-----------|--------|
| 6-1     | AD67-01772A | FIX BARREL        | 1    | X         |        |
| 6-2     | AD67-02495A | FOCUS RING        | 1    | X         |        |
| 6-3     | AD67-02515A | BLUE RING         | 1    | X         |        |
| 6-4     | AD67-02496A | FOCUS RING BASE   | 1    | X         |        |
| 6-5     | AD64-03701A | BUTTON PUSH       | 1    | X         |        |
| 6-6     | AD41-01523A | SWITCH FPCB       | 1    | X         |        |
| 6-7     | AD61-04781A | PLATE BUTTON      | 1    | X         |        |
| 6-8     | 6003-001369 | SCREW 142525      | 3    | X         |        |
| 6-9     | AD41-01521A | MF PI FPCB        | 1    | X         |        |
| 6-10    | AD63-05359A | SHIELD TAPE 1ST   | 2    | X         |        |
| 6-11    | AD63-05522A | IRIS FPCB TAPE    | 1    | X         |        |
| 6-12    | AD97-22546A | OUTER BARREL ASSY | 1    | O         |        |

## 7-7 ZOOM RING ASSEMBLY



| Loc. No | Parts No.   | Description       | Q ty | Available | Remark |
|---------|-------------|-------------------|------|-----------|--------|
| 7-1     | AD67-02494A | ZOOM RING         | 1    | X         |        |
| 7-2     | AD61-05709A | LOCK LEVER PLATE  | 1    | X         |        |
| 7-3     | 6107-00276  | SPRING LEVER LOCK | 1    | X         |        |
| 7-4     | 6003-001675 | SCREW 1225-20     | 2    | X         |        |
| 7-5     | AD64-03700A | LOCK LEVER        | 1    | X         |        |
| 7-6     | AD97-22548A | ZOOM RING ASSY-BK | 1    | O         | BLACK  |
|         | AD97-22548B | ZOOM RING ASSY-WT | 1    | O         | WHITE  |

## 7-8 PACKING ITEMS



| Loc. No | Parts No.   | Description                     | Q ty | Available | Remark |
|---------|-------------|---------------------------------|------|-----------|--------|
| 8-1     | AD63-03989A | COVER-MOUNT CAP;XL1012,PC(GF30) | 1    | 0         |        |
| 8-2     | AD97-20008A | ASSY LENS CAP                   | 1    | 0         |        |





| Area                         | Web Site  |
|------------------------------|---|
| Europe, MENA, CIS, Africa    | <a href="https://gspn1.samsungcportal.com">https://gspn1.samsungcportal.com</a> |
| E.Asia, W.Asia, China, Japan | <a href="https://gspn2.samsungcportal.com">https://gspn2.samsungcportal.com</a> |
| N.America, S.America         | <a href="https://gspn3.samsungcportal.com">https://gspn3.samsungcportal.com</a> |

This Service Manual is a property of Samsung Electronics Co.,Ltd.  
Any unauthorized use of Manual can be punished under  
applicable International and/or domestic law.

© 2012 SAMSUNG Electronics Co.,Ltd  
All rights reserved.  
Printed in Korea  
Code No: EC-NX lens XL1206