



# DIGITAL CAMERA LENS

**NX Lens-XL1205**  
**SAMSUNG 18-55 mm**  
**F3.5-5.6 OIS III**

# ***SERVICE***

# ***Manual***

## DIGITAL CAMERA LENS

## CONTENTS



1. Repair information
2. Product specifications
3. Disassembly and reassembly
4. PCB diagrams
5. Block diagram
6. Firmware update
7. Exploded view and parts list

# Contents

## 1. Repair information

1-1 Customer satisfaction statement .....	1-1
1-2 Warranty and repair service information .....	1-1
1-3 Precaution for disassembly and reassembly .....	1-4

## 2. Product specifications

2-1 Specifications.....	2-1
2-2 Layouts.....	2-1
2-3 Accessories information.....	2-2

## 3. Disassembly and reassembly

3-1 Repair toolkit and Screw parts list.....	3-1
3-2 Disassembly.....	3-2
3-3 Reassembly .....	3-11

## 4. PCB diagrams

4-1 Main PCB(Top).....	4-1
4-2 Main PCB(Bottom).....	4-1

## 5. Block diagram

## 6. Firmware update

6-1 Before upgrading the firmware .....	6-1
6-2 How to upgrade the firmware .....	6-2

## 7. Exploded view and parts list

7-1 TOTAL BARREL ASSEMBLY .....	7-1
7-2 OUTER BARREL ASSEMBLY .....	7-3
7-3 SWITCH ASSEMBLY.....	7-5
7-4 SUB BARREL ASSEMBLY.....	7-6
7-5 LENS PCB ASSEMBLY .....	7-8
7-6 PACKING ITEMS.....	7-8

# 1. Repair information

## 1-1 Customer satisfaction statement



We hold ourselves to the highest standards of customer satisfaction and service.

- Combining perfect technical solutions with a customer-oriented approach is our top priority.
- We treat our customers we serve with kindness, loyalty, respect and dignity.
- We are committed to earn customers' trust continuously through excellence in repair solutions.
- We keep our promises and commitments to our customers.
- Committed to quick and easy resolution of all support issues, we deliver industry-leading response times.

### [Guide]

We listen carefully to our customers' requirements and always find an optimum solution for their needs.

We are committed to your satisfaction and have procedures in place to provide you with a fair, timely and effective means to resolve problems. It combines industry leading preventive assistance with responsive support that helps us address problems quickly and effectively.

We will continuously maintain and improve our services to satisfy the needs of our customers.

## 1-2 Warranty and repair service information

### (1) General terms and conditions

It is guaranteed to be free of charge from defects in material and workmanship under normal use for a period of one year from date of purchase.

Digital Camera and lens come with a one year limited warranty from the date of purchase.

**\* The duration of the warranty depends on the laws in the country in which it was purchased.**

The following information will be required to process warranty requests:

- a. We imply warranties to one year from the original date of purchase. In the event that the purchaser is unable to provide a warranty card or proof of purchase, the warranty period will be determined by the date of manufacture. The warranty period shall be decreased to three months from the original product manufactured date.
- b. The coverage under this warranty begins on the date of your purchase of the product. In the event that a warranty card or proof of purchase is not available, a purchase receipt, preferably the purchase invoice, to confirm the date of purchase is required for warranty service.
- c. In the event that a valid date of purchase is not available, the warranty period will be determined by the date of manufacture. The warranty period shall be decreased to three months from the original product manufactured date.

**(2) Limited Warranty**

It reserves the right to retain any parts or components replaced at its discretion in the event of a defect noticed in the product. The period with respect to retaining components may vary respectively depending on its components. We are not liable to repair or replace its faulty product after the Warranty Period has expired.

**\* We warrant its retaining camera and lenses for five years and three years for the accessories.**

- a. If a warranty claim is filed after the product has been discontinued, we reserves the right to honor the components warranty. Warranty period may vary depending on the type of components.
- b. In the event that no identical warranty information is available for service repair, company has the right to provide warranty. The warranty does not affect the consumers' rights against the company related to its information.

For the length of the period indicated on the chart below, it starts with the date of original purchase.

**(3) Warranty Period for components**

Our liability under this warranty shall be limited to the following:

- a. In the event of a same malfunction problem within two months after repair service by Samsung authorized technician, we will repair or replace free of charge the component of the product which is found to be defective.
- b. In the event of the component that you have paid the replacement cost is returned under normal use within one year at our premises, such components will be replaced free of charge component of the product which is found to be defective.

<Table. 1-1 Warranty periods for parts>

Part Name	Warranty Period
Battery Charger	<b>Six months</b>
AC Adaptor	
Battery	
Remote Control	
CD Software	<b>Three months</b>
Earphone	
Pouch for camera	<b>Not applicable</b>
Cable	

## (4) Repair Claims

### 1) Repair free of charge

Essentially, the following causes of damage are covered:

- a. Failing to function properly under normal use during the limited warranty period.
- b. Repair Services free of charge is granted for the performance of a specific contract.

### 2) Repair charges

This warranty does not cover damage caused by:

- a. Defect occurring after the expiration of the Warranty Period.
- b. Damage due to negligence, immersion in water, impact, loss and tampering.
- c. Repair or alteration performed by any party other than Samsung authorized technicians.
- d. Misuse or other improper use of the power button.
- e. Exhausted parts such as batteries, lamps and filters, etc.
- f. Defect that occurs due to sand, dirt liquid, etc. entering the inside of the product casing.
- g. Consumable parts which have ceased working through normal use such as as earphone, battery discharger and various accessories.
- h. Products purchased second hand or any damage that occurs due to a second hand or repair performed by anyone other than Samsung or a Samsung authorized service station.
- i. Fire, earthquake, flood or other natural disasters.

The warranty cover period for components is listed below as per table 1-2.

<Table. 1-2 Warranty period for components>

Types of consumer damages		Compensation		
Failing to perform or failing to function properly under normal use	Required for essential repair within 10 days after the purchase	Replace the product or refund	-	
	Required for essential repair within one month after the purchase	Replace the product or repair at free of charge	Repair charges	
	Applicable to repair	Problem occurred twice due to same malfunction	Free of charge	
		Problem occurred three times due to same malfunction	Replace the product or refund	Repair charges
		Problem occurred four times due to some other malfunction		
Not applicable to repair	Within the period with respect to retaining components	Replace the product at the cost of the depreciated value or refund its price added 10% of depreciation		
Failing to perform or failing to function properly as a result of willful intent and negligence of customer	Applicable repair		Repair charges	
	Not applicable to repair (Except for defects or malfunction as a result of fire or flood or other natural disasters)		Replacement charge	Repair charge and replace the product at the cost of the depreciated value

## 1-3 Precaution for disassembly and reassembly



### CAUTION

1. Use the anti-static handling procedures included with the anti-static mat to ensure that there is no electrostatic discharge and component damage.
2. Static electricity is the biggest danger to the PCB parts you are about to disassemble or assemble. It's important to use your anti-static wrist strap to prevent damage to these components.
3. Dismantling a discrete electronic component such as main capacitor is dangerous.  
The capacitor contains high voltage, which can cause a severe electric shock if you touch it. This holds a charge even when the unit is not plugged in and is capable of delivering a fatal shock.
4. Using excessive force during disassembly and assembly can damage locking parts. Use care when handling "Locking parts" to avoid damage to FPCB or wire. Apply pressure only at the points designated in the maintenance instructions.
5. Due to increasing environmental concerns, a number of restrictions have been placed on the material content of electronic components and electronic assemblies. It requires utilizing Lead-Free (Pb-free) Soldering.
6. The following precautions must be observed when handling such components below.


<Table. 1-3 Precaution for disassembly and reassembly>

Component	Precautions
FPCB	FPCB is brittle material. It can be easily damaged thus it should be handled with care. It is recommended to use wooden or plastic tweezers for manual placement.
CCD (CMOS) IR CUT Filter LCD, LENS	Be careful not to stained your finger. It is recommended to use wooden or plastic tweezers for manual placement. Stain is often caused by the Alcohol used in these components. Find a clean, well-ventilated place to do your work.
PCB	Use an anti-static mat as well as an anti-static wrist strap to avoid ESD damage to PCB.
CONNECTOR	The use wooden or plastic tweezers is recommended for manual placement. Metal tip tweezer might make marks or damage.
BARREL	Always follow proper direction while assembling the components of the barrel.

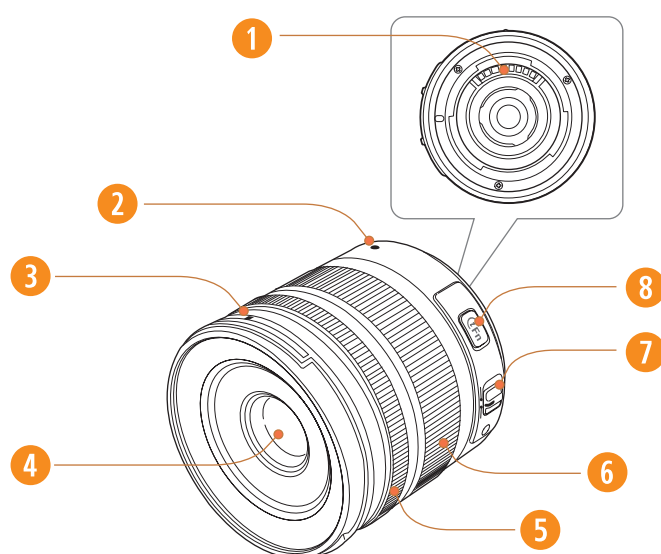
## 2. Product specifications

### 2-1 Specifications

<Table. 2-1 Lens specifications>

Lens Name	SAMSUNG 18-55 mm F3.5-5.6 OIS III
Image	
Focal Length	18 - 55 mm (equivalent to 27.7 - 84.7 mm in 35 mm format)
Elements in Group	12 elements in 9 groups (1 Aspherical lens included)
Angle of View	75.9° - 28.7°
Aperture	F3.5 - 5.6 (Min. F22), (Number of Blades : 7 , Circular Aperture Diaphragm)
Mount Type	Samsung NX mount
Optical Image Stabilizer	Yes
Minimum Focus Distance	0.28 m ~ ∞
Maximum Magnification	Approx. 0.22X
i-Scene	Supported (Beauty Shot, Portrait, Children, Backlight, Landscape, Sunset, Dawn, Beach & Snow, Night)
Lens Hood	Included
Filter Size	58 mm
Max. Diameter X Length	63 x 65.1 mm
Weight	Approx. 7.20 oz (without hood)
Operating Temperature	0 - 40 °C
Operating Humidity	5 - 85 %

### 2-2 Layouts









1	Lens contacts
2	Lens mount index
3	Lens hood mount index
4	Lens
5	Focus ring
6	Zoom ring
7	AF/MF switch
8	i-Function button

Fig 2-1

## 2-3 Accessories information

<Table. 2-2 Packing items information>

	Packing items image	Description	Parts No.
Packing items		Lens	SAMSUNG 18-55 mm F3.5-5.6 OIS III
		Lens cap	AD97-18288A
		Lens mount cover	AD63-03989A
		Hood	AD97-19350A
		Leather case	AD69-02493A
		User manual	AD68-06412A

<Table. 2-3 Optional items information>

	image	Description
Optional items		<b>Filter</b> You can create different colored effects by attaching filters to your lens.



## 3. Disassembly and reassembly

### 3-1 Repair toolkit and Screw parts list

<Table. 3-1 Screw information>

ITEMS	PAGE	TYPE	CODE	Qty
Disassembly	3-2	SCREW TAPTYPE M2,L4 (WHT)	6003-000273	3
		SCREW TAPTYPE M1.4,L2.5	6003-001674	3
	3-4	SCREW TAPTYPE M1.4,L2.5	6003-001674	2
	3-6	SCREW TAPTYPE M1.4,L2.5(BLK)	6003-001769	2
	3-7	SCREW TAPTYPE M1.7,L3.5(BLK)	6003-001703	3
		SCREW-TAPTYPE M1.7,L3.5(BLK)	6003-001641	1
	3-8	SCREW TAPTYPE M1.7,+,L5	6003-001671	3
Reassembly	3-14	SCREW TAPTYPE M1.7,+,L5	6003-001671	3
	3-16	SCREW-TAPTYPE M1.7,L3.5(BLK)	6003-001641	1
		SCREW TAPTYPE M1.7,L3.5(BLK)	6003-001703	3
		SCREW TAPTYPE M1.4,L2.5(BLK)	6003-001769	2
	3-18	SCREW TAPTYPE M1.4,L2.5	6003-001674	2
	3-19	SCREW TAPTYPE M1.4,L2.5	6003-001674	3
	3-20	SCREW TAPTYPE M2,L4 (WHT)	6003-000273	3

## 3-2 Disassembly

1. The numbers ① and ② in the assembly as illustrated in image below indicate the order to remove the screws.



Fig. 3-1

2. Remove the MOUNT COVER.



Fig. 3-2

3. After removing the MOUNT, remove the AF/MF IF FPCB as Fig. A.

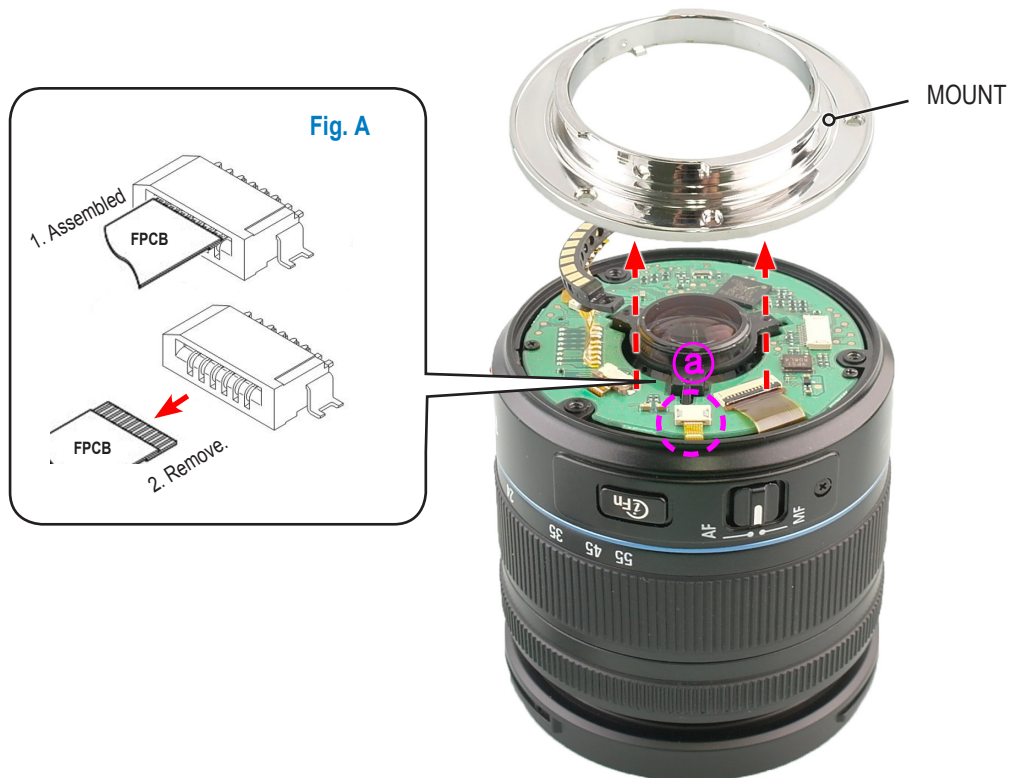


Fig. 3-3

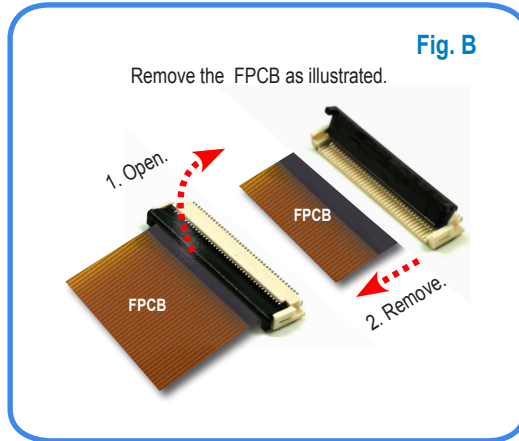
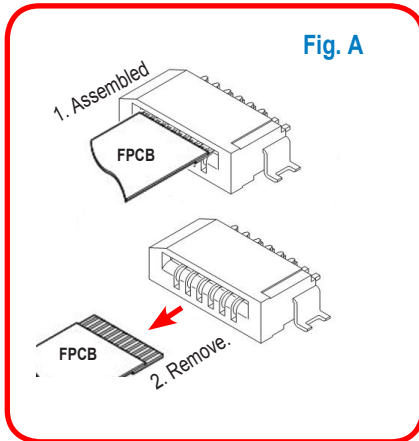
4. Remove the SWITCH ASSY.



Fig. 3-4

5. After removing the FPCBs as Fig. A and Fig. B, remove the two screws.

- ⚠ Reference:** Explanation of each FPCB name and Bad symptoms.  
(Check each of the bad symptoms FPCB predictable damage)
- ① OIS IRIS FPCB: Not working the OIS, IRIS, AF when damage of OIS IRIS FPCB.
  - ② AF/MF IF FPCB: Not working the AF/MF switch , i-Fn switch when damage of AF/MF IF FPCB.
  - ③ AF FPCB: Not working AF when damage of AF FPCB.
  - ④ MFPI FPCB: Not Selection i-Fn and not working MF when damage of MFPI FPCB.



SCREW TAPTYPE M1.4,L2.5

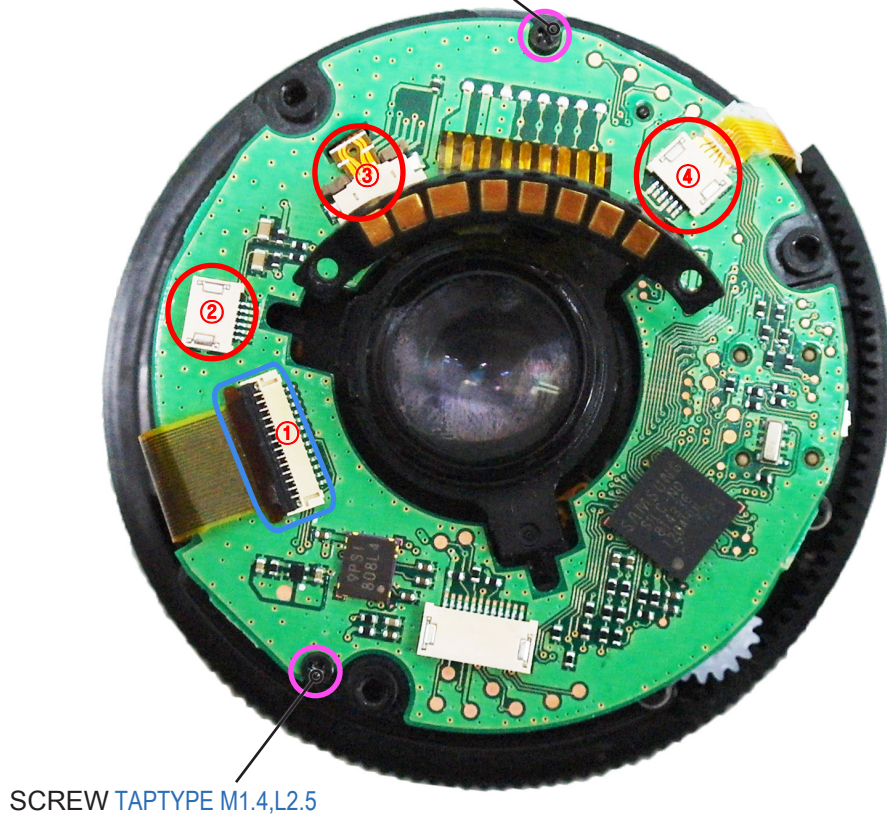


Fig. 3-5

6. Remove the LENS PCB.



Fig. 3-6

7. After removing the soldering from the (a), (b) part and remove the LENS PCB as order in Fig. A.

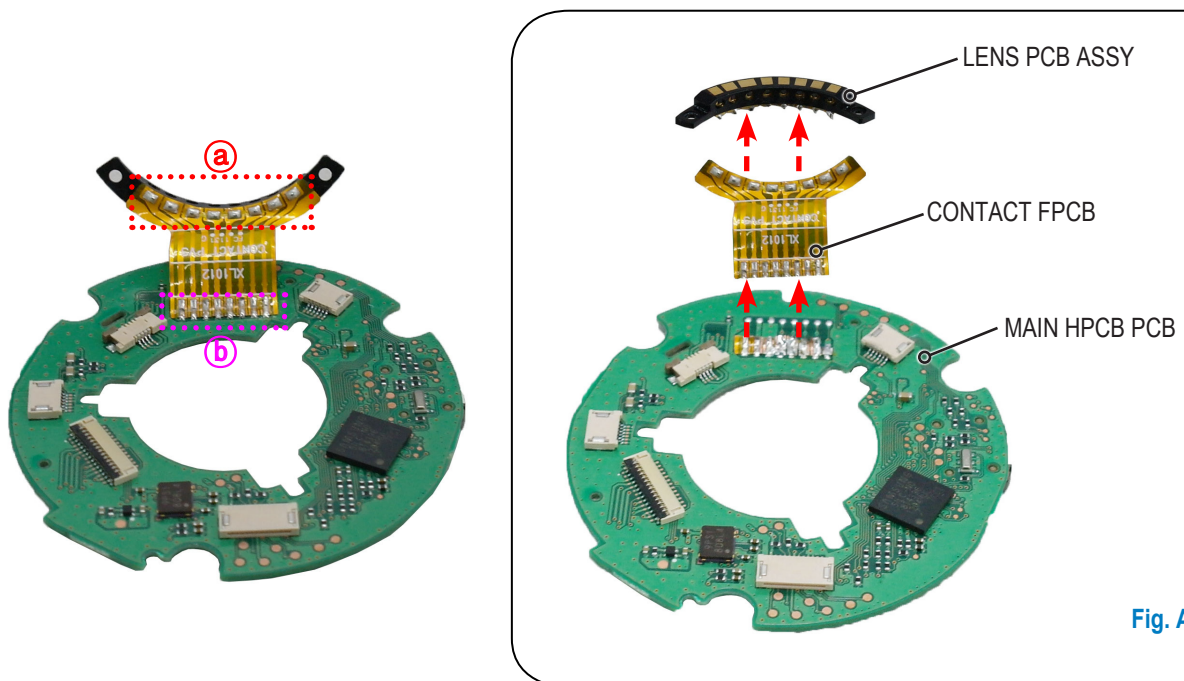


Fig. 3-7

8. Remove the P-GEAR 3.



Fig. 3-8

9. After removing the two screws, remove the P-PLATE/ P-GEAR1 /P-GEAR2 as order in figure below.



Fig. 3-9

10. Remove the three screws and one ZOOM ROLLER.



Fig. 3-10

11. Remove the OUTER BARREL ASSY.



Fig. 3-11

12. Moving the towards the end of arrow direction as figure below ③ part and then remove the 1ST MOVER BARREL.



Fig. 3-12

13. Remove the three screws and three CAM ROLLER.

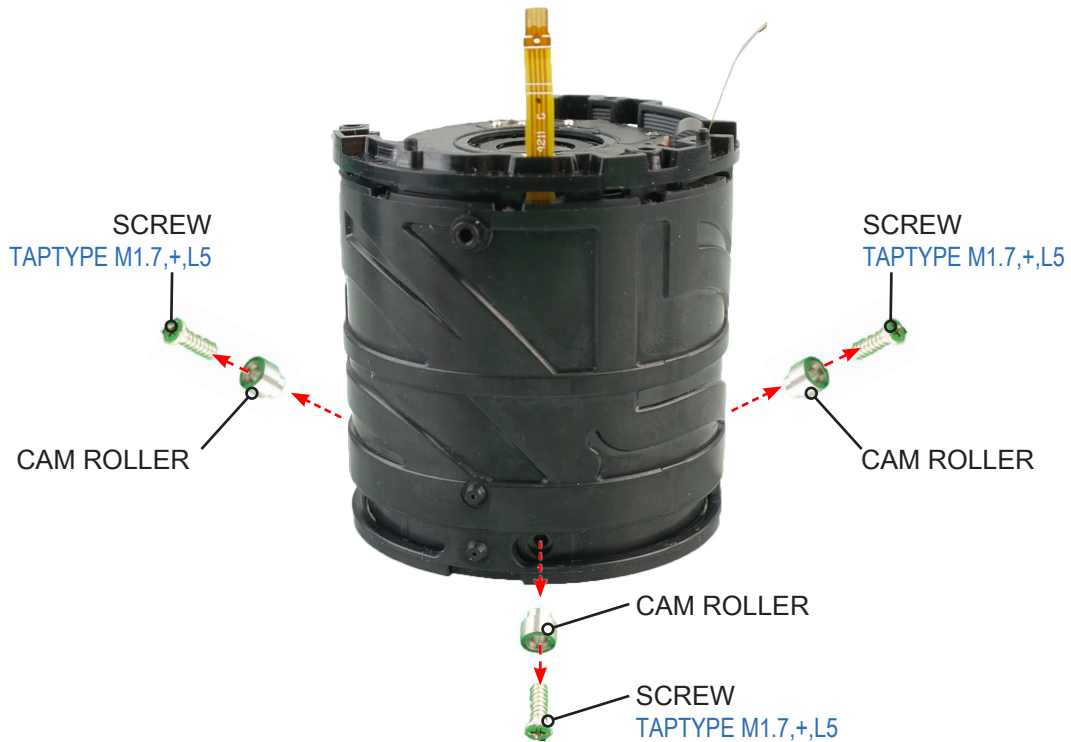


Fig. 3-13



14 .Remove the CAM BARRE.



Fig. 3-14

15. Remove the 5TH MOVER BARREL.



Fig. 3-15

16. Remove the two FPCBs in the direction of the arrow as illustrated.



Fig. 3-16

17. Remove the 4TH BARREL.



Fig. 3-17

18. Turn the 2ND RUSH RING by counterclockwise direction and then remove the 2ND MOVERBARREL and 2ND RUSH RING from the MAIN BARREL.

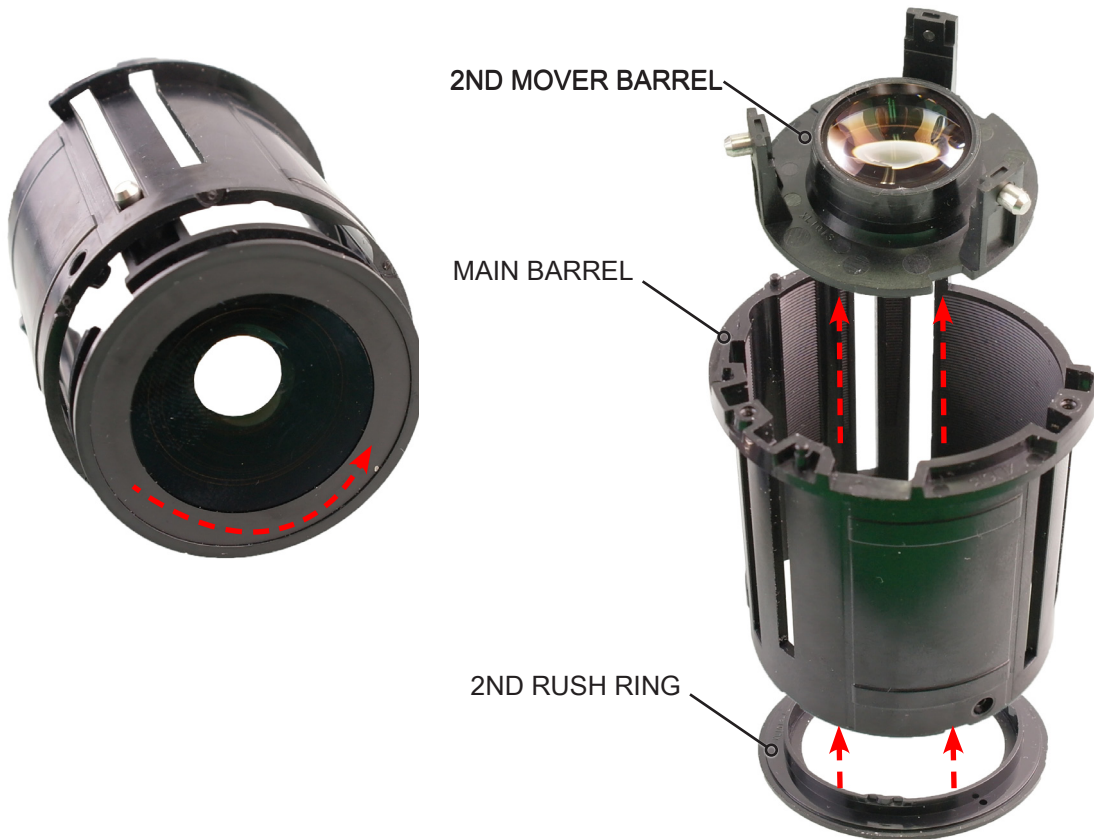


Fig. 3-18

### 3-3 Reassembly

1. Assemble the MAIN BARREL and 2ND MOVER BARREL by aligning the (a), (b) part as illustrated.

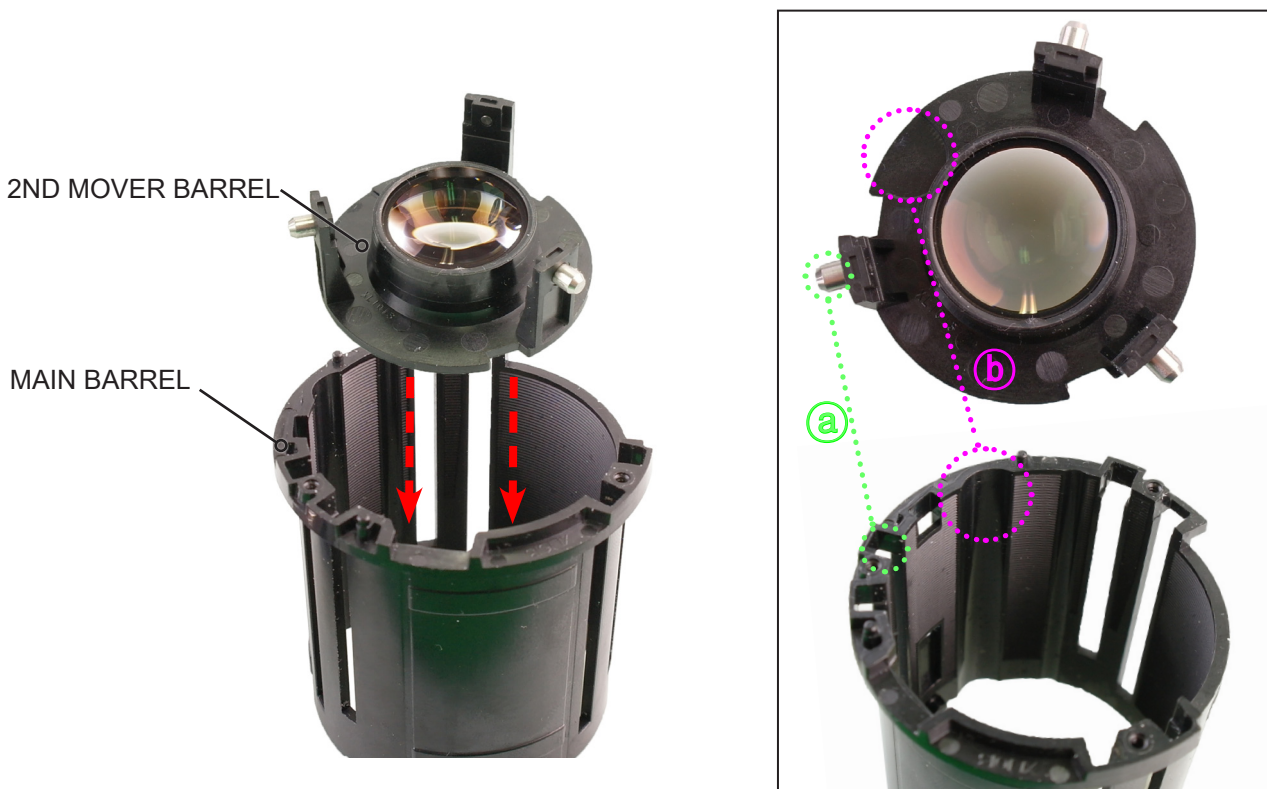


Fig. 3-19

2. Assemble the 2ND RUSH RING by aligning ① part regardless of direction as illustrated and then turn the 2ND RUSH RING by counterclockwise direction as arrow and assemble it.

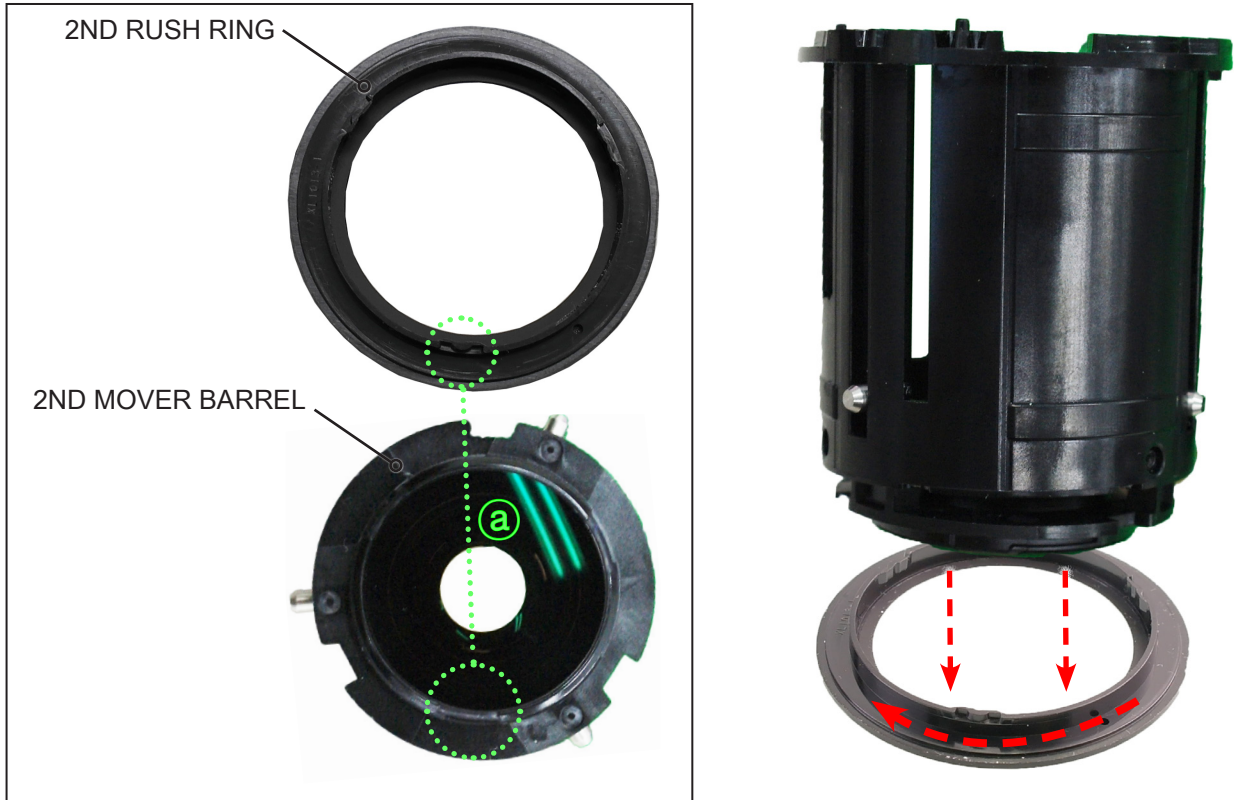


Fig. 3-20

3. Assemble the 4TH BARREL by aligning ① part as illustrated.

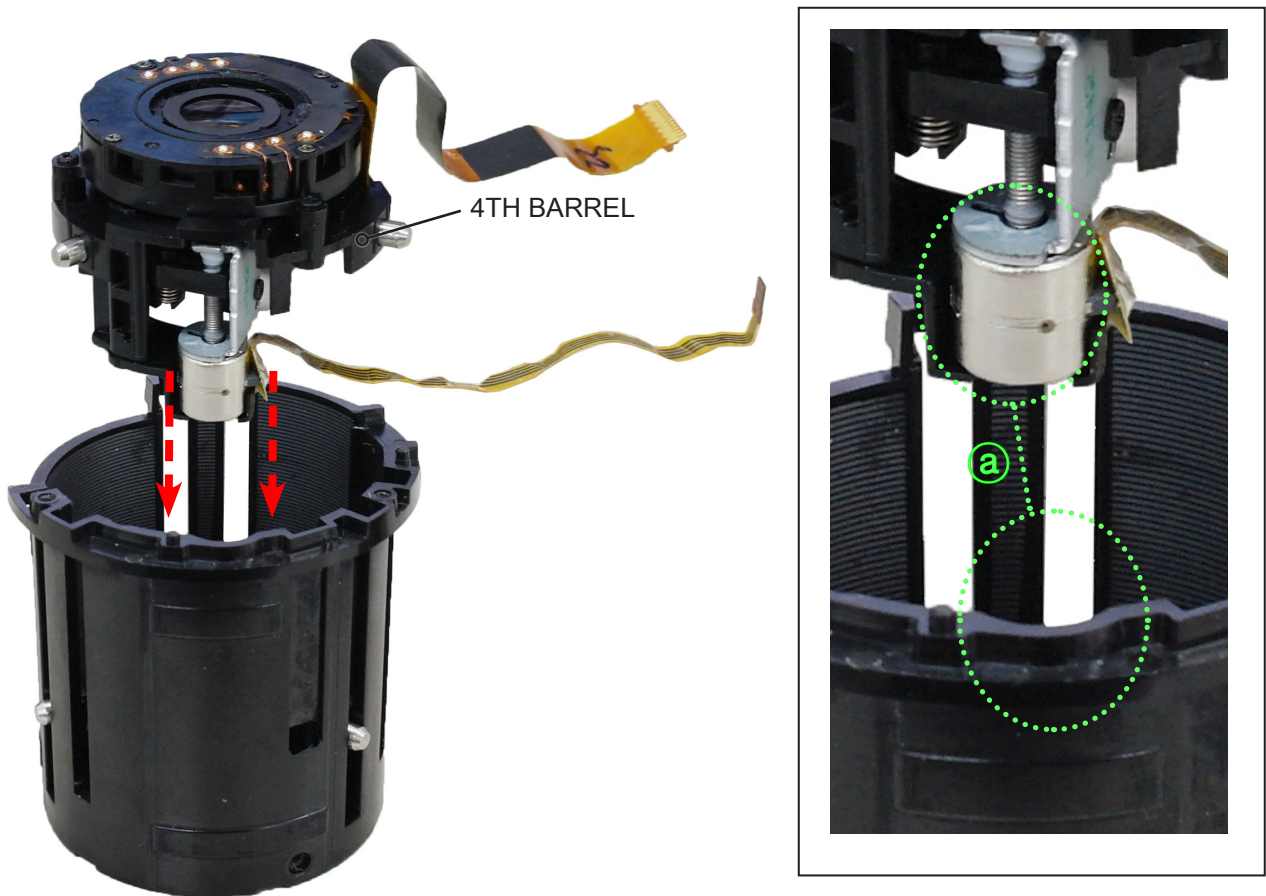


Fig. 3-21

4. Assemble the FPCB by inserting as direction arrow in figure below.



Fig. 3-22

5. Assemble the CAM BARREL by aligning ①, ② part as illustrated.

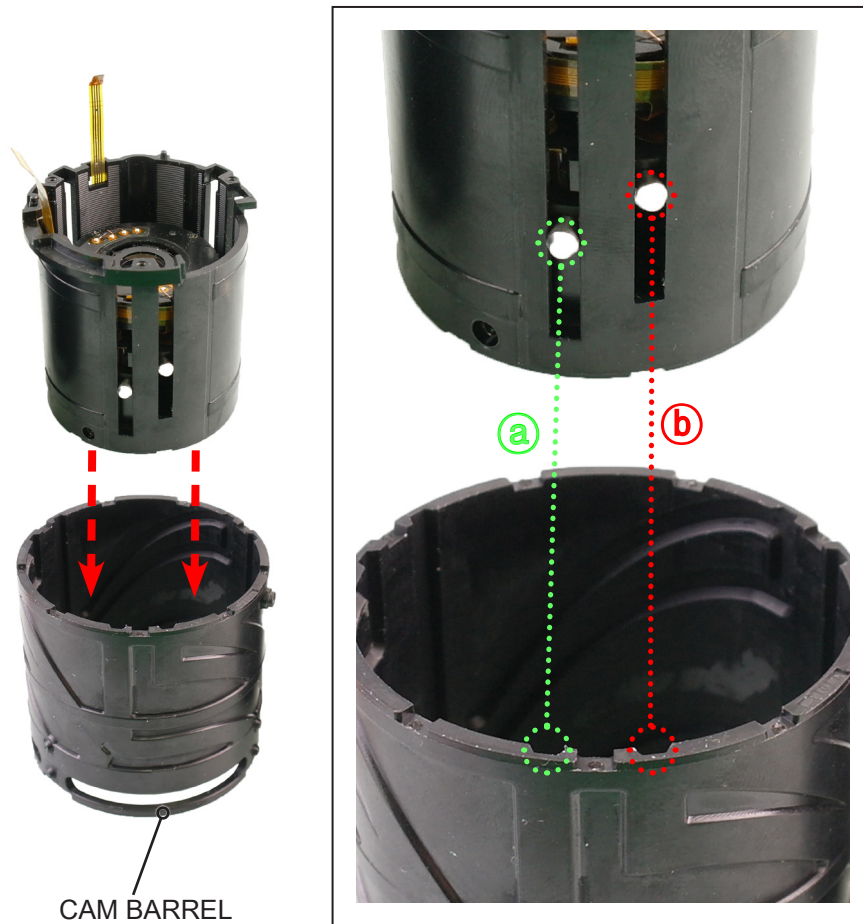


Fig. 3-23

6. Assemble the three CAM ROLLER and then tighten the three screws as illustrated.

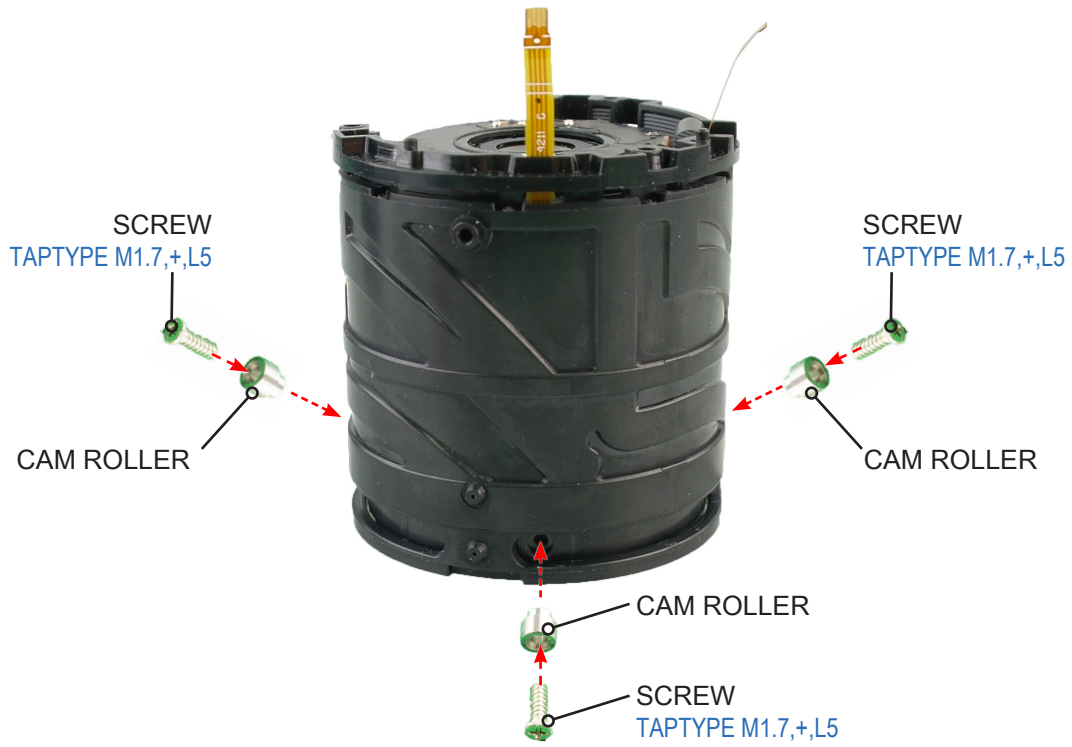


Fig. 3-24

6. Assemble the 5TH MOVER BARREL by aligning Ⓐ part regardless of direction as illustrated.

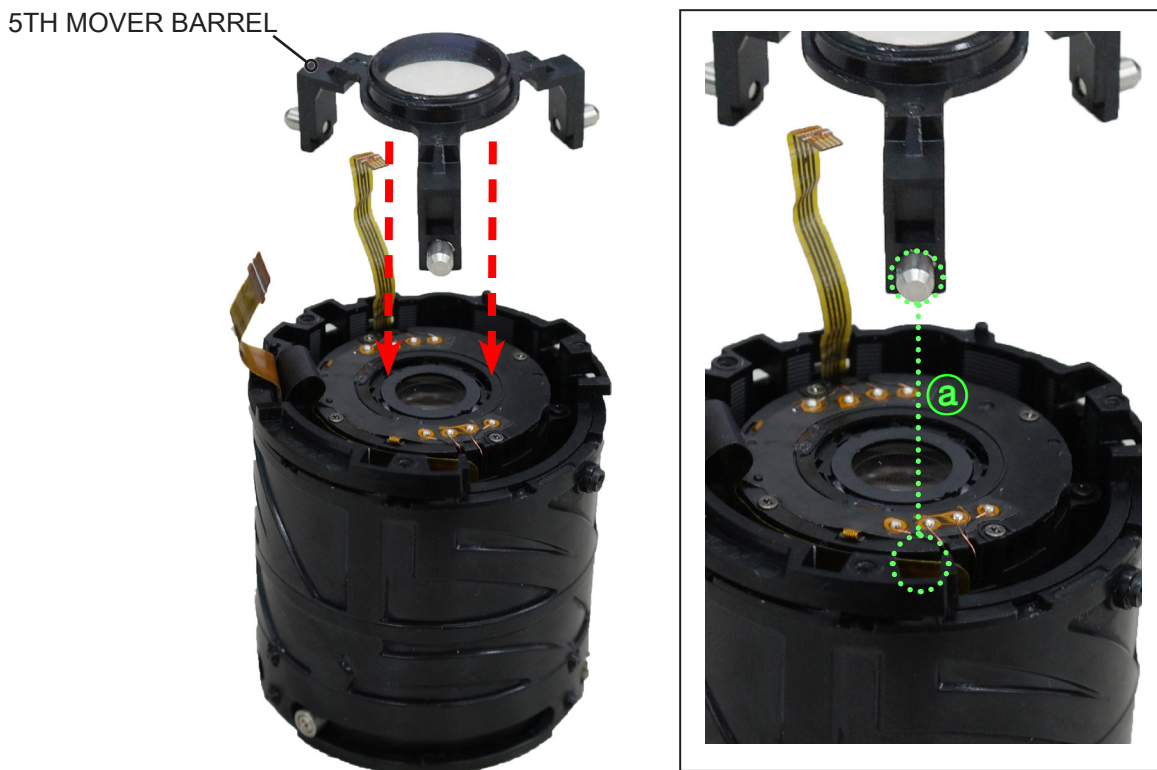


Fig. 3-25

7. Assemble the SUB BARREL ASSY by aligning (a), (b) part as illustrated.



Fig. 3-26

8. Moving the towards the end of arrow direction as figure below (a) part and then assemble the 1ST MOVER BARREL by matching (b) part.



Fig. 3-27

9. Assemble the ZOOM ROLLER and tighten the four screws in illustrated.

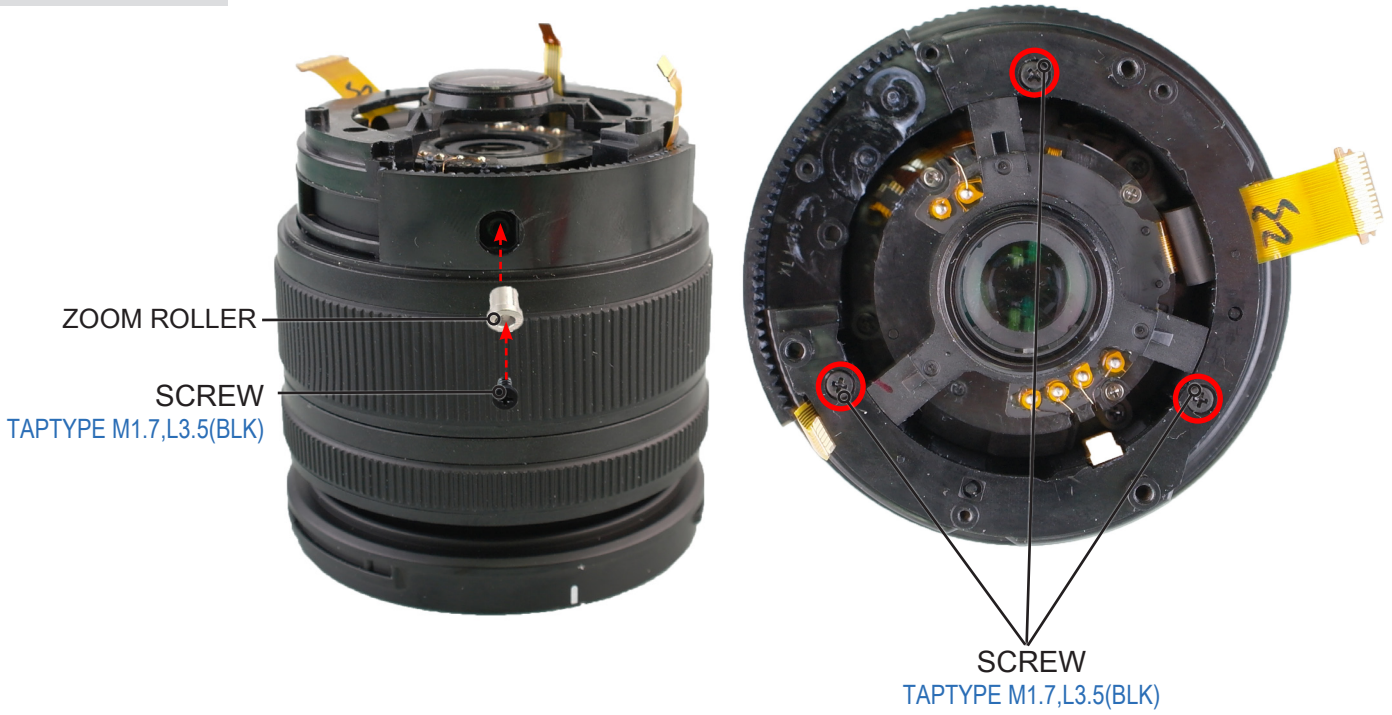


Fig. 3-28

10. Assemble the P-GEAR 1, P-GEAR 2, P-PLATE as order in Fig. A below and then tighten the two screws. And assemble the P-GEAR 3 by matching marked points in Fig. B.

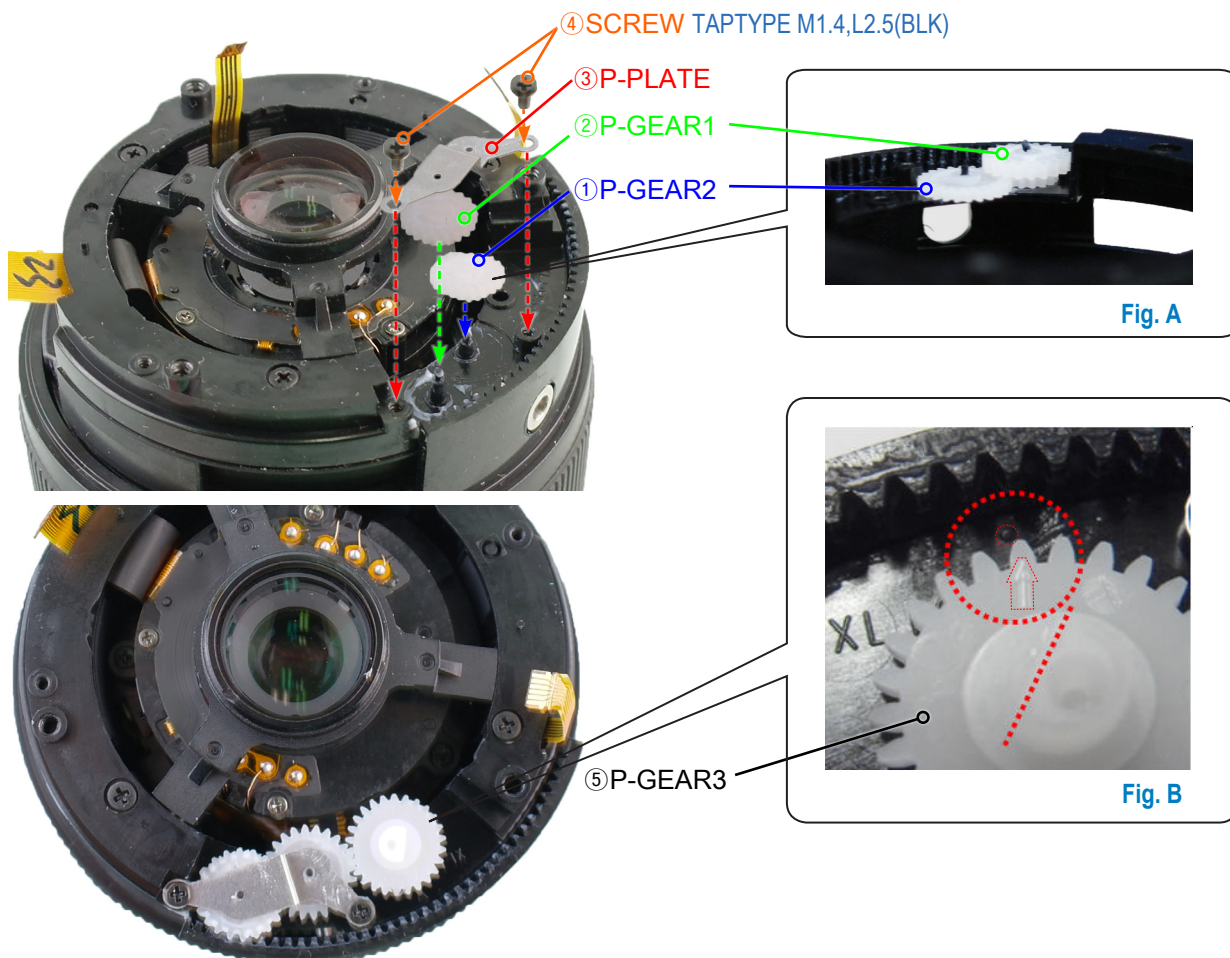


Fig. 3-29



11. Assemble the LENS PCB as order in **Fig. A** and then soldering from the ㉓, ㉔ part.

**Caution:** Be careful to damage and short circuit in FPCB when soldering from the ㉓, ㉔ part.

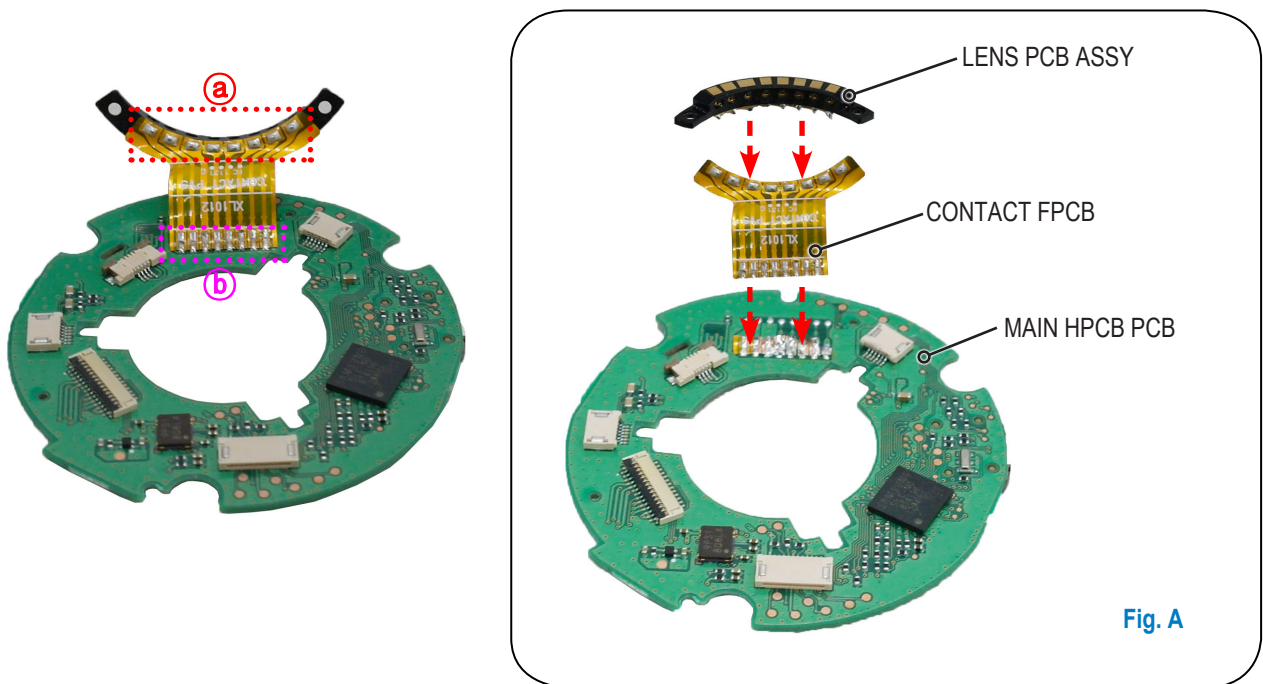


Fig. 3-30

12. Assemble the LENS PCB by matching part marked in P-GEAR3 and part marked in **Fig. A**.

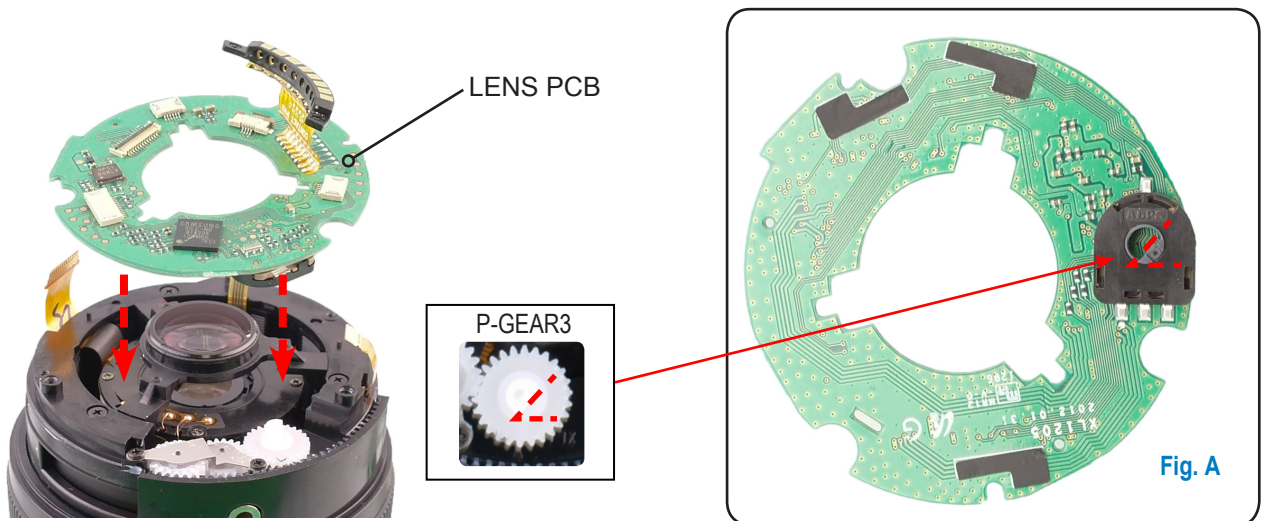
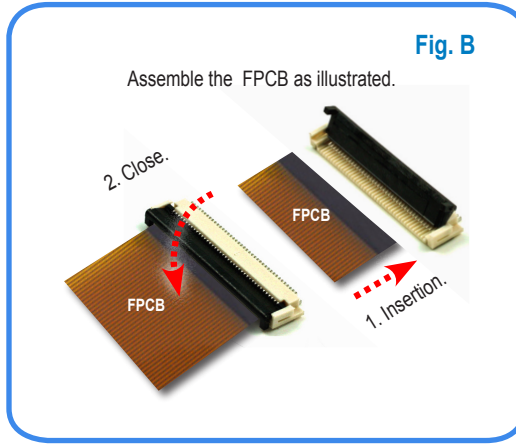
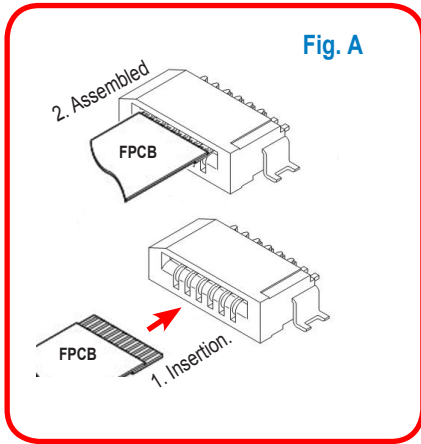


Fig. 3-31

13. Assemble the three FPCBs as Fig. A and Fig. B. and tighten the two screws.

**⚠ Reference:** Explanation of each FPCB name and Bad symptoms.  
(Check each of the bad symptoms FPCB predictable damage)

- ① OIS IRIS FPCB: Not working the OIS, IRIS, AF when damage of OIS IRIS FPCB.
- ② AF/MF IF FPCB: Not working the AF/MF switch, i-Fn switch when damage of AF/MF IF FPCB.
- ③ AF FPCB: Not working AF when damage of AF FPCB.
- ④ MFPI FPCB: Not Selection i-Fn and not working MF when damage of MFPI FPCB.



SCREW TAPTYPE M1.4,L2.5

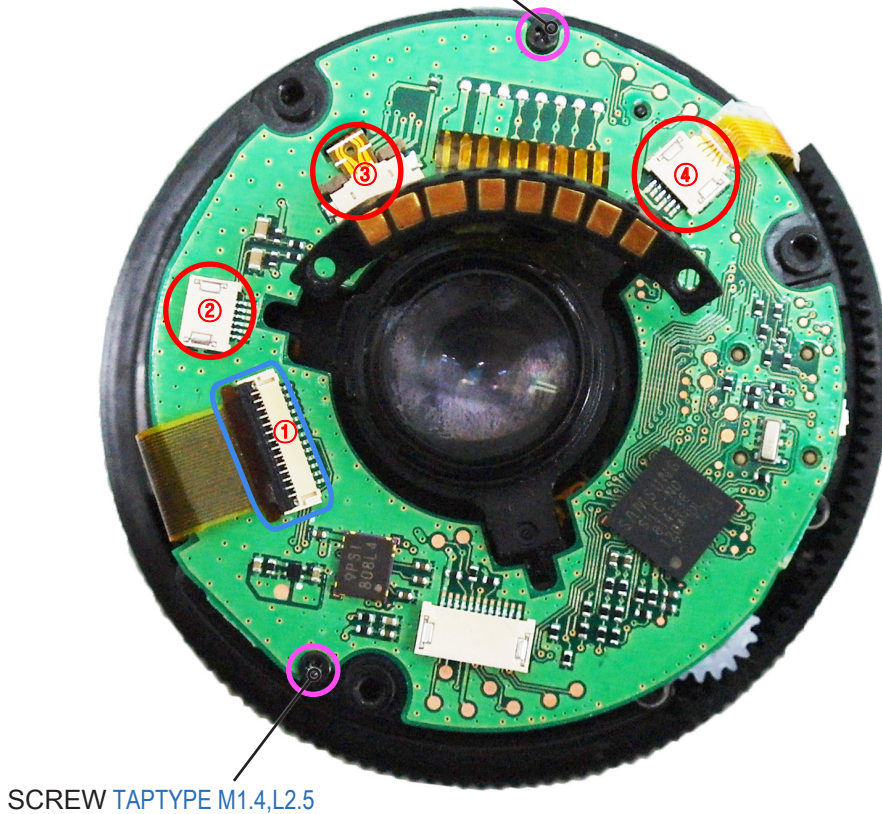


Fig. 3-32

14. Assemble the SWITCH IFN ASSY by aligning ① part and then assemble the AF/MF IF FPCB as Fig. A.

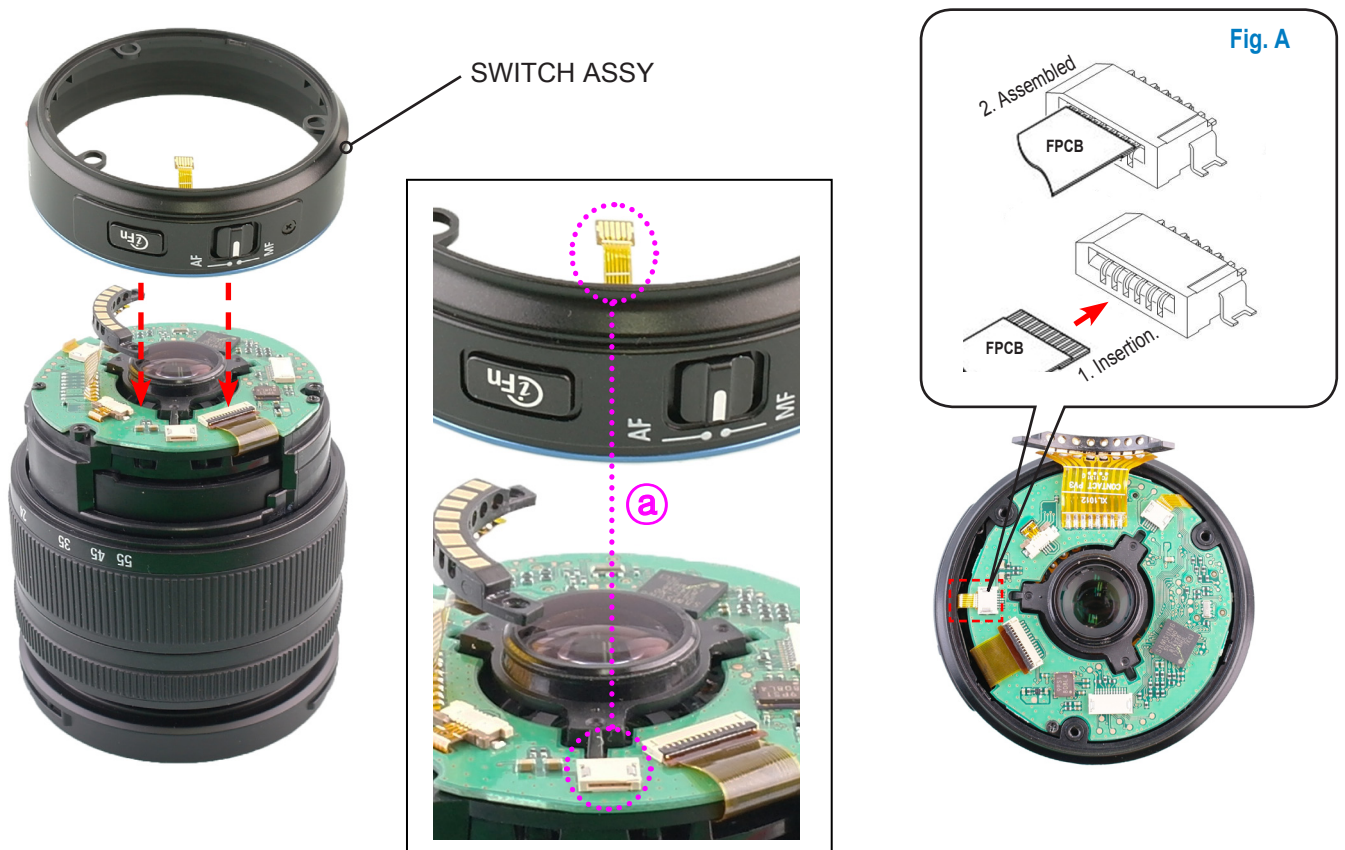


Fig. 3-33

15. Assemble the MOUNT by aligning ① part as illustrated and then tighten the three screws.

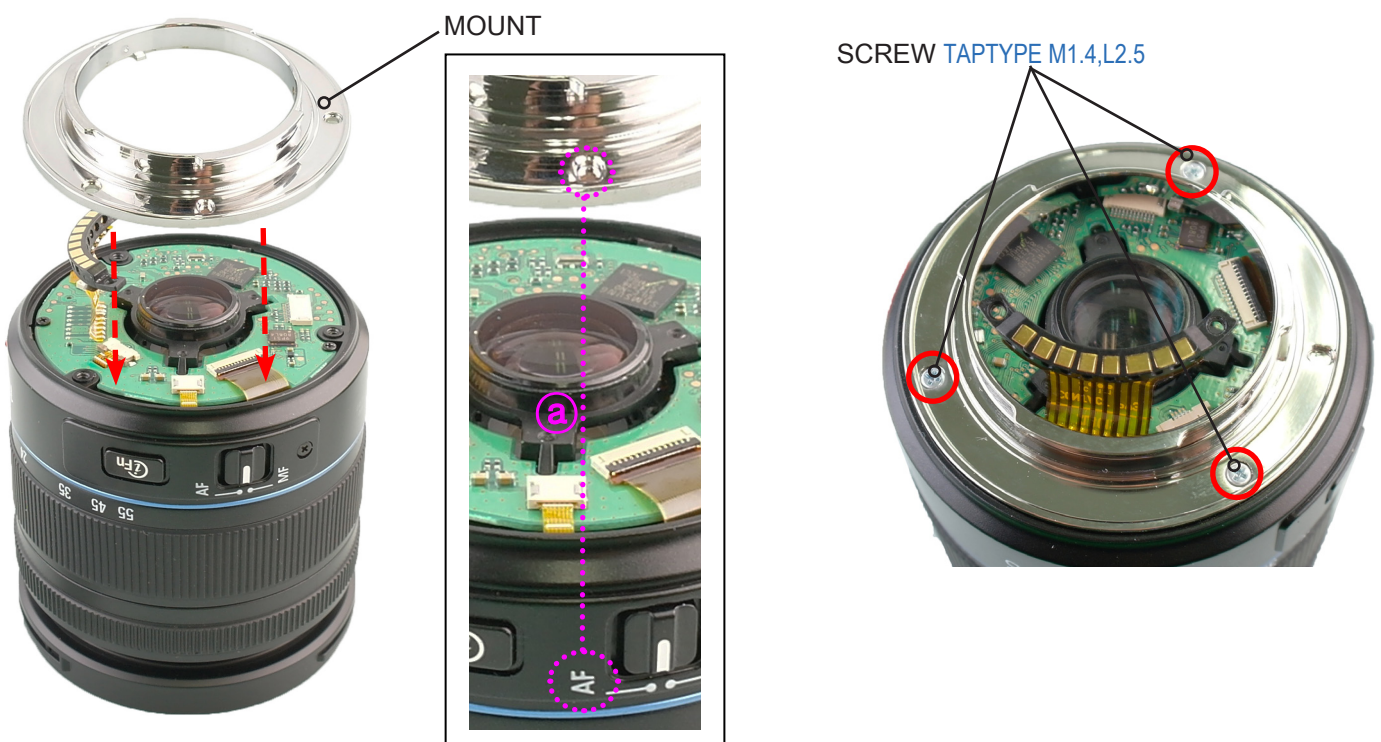


Fig. 3-34

16. Assemble the MOUNT COVER by aligning ㉓, ㉔ part as illustrated.



Fig. 3-35

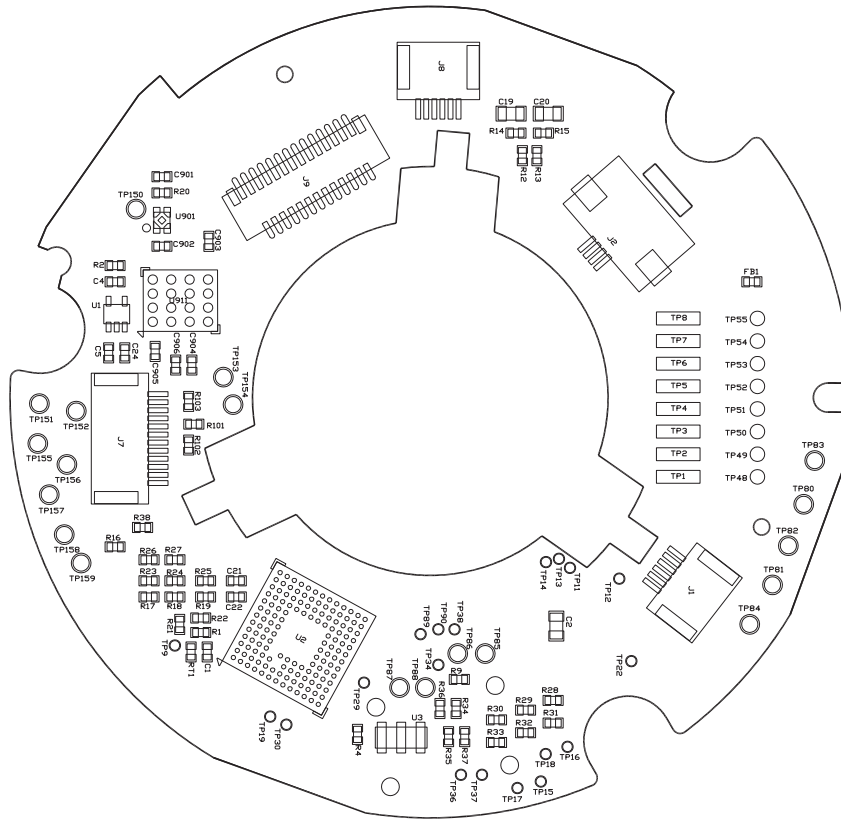
17. Tighten the three screws.



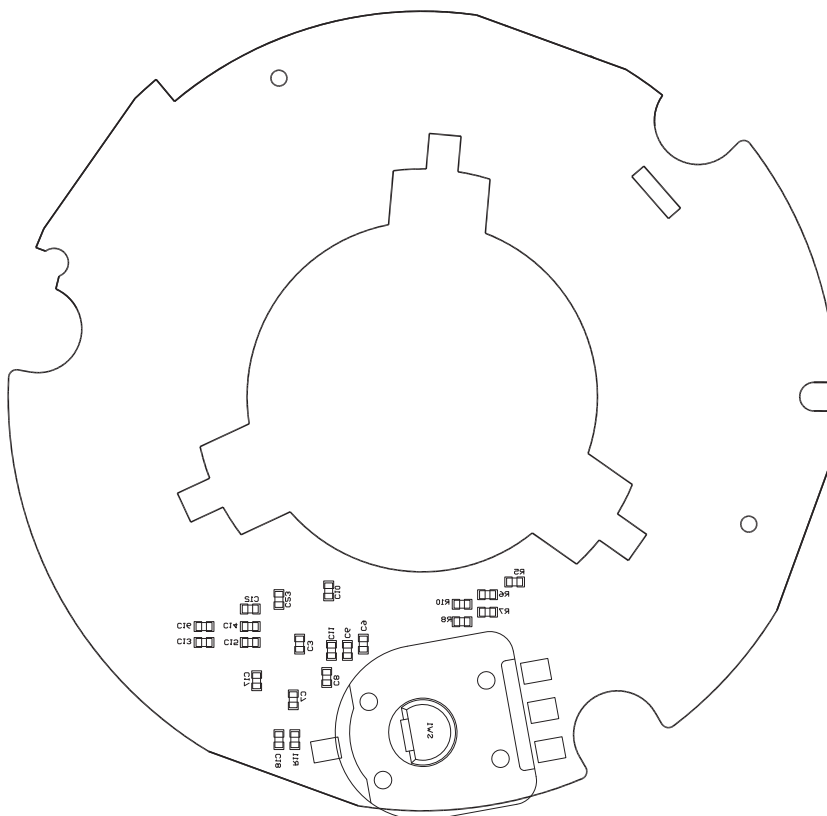
Fig. 3-36

## 4. PCB diagrams

### 4-1 Main PCB(Top)

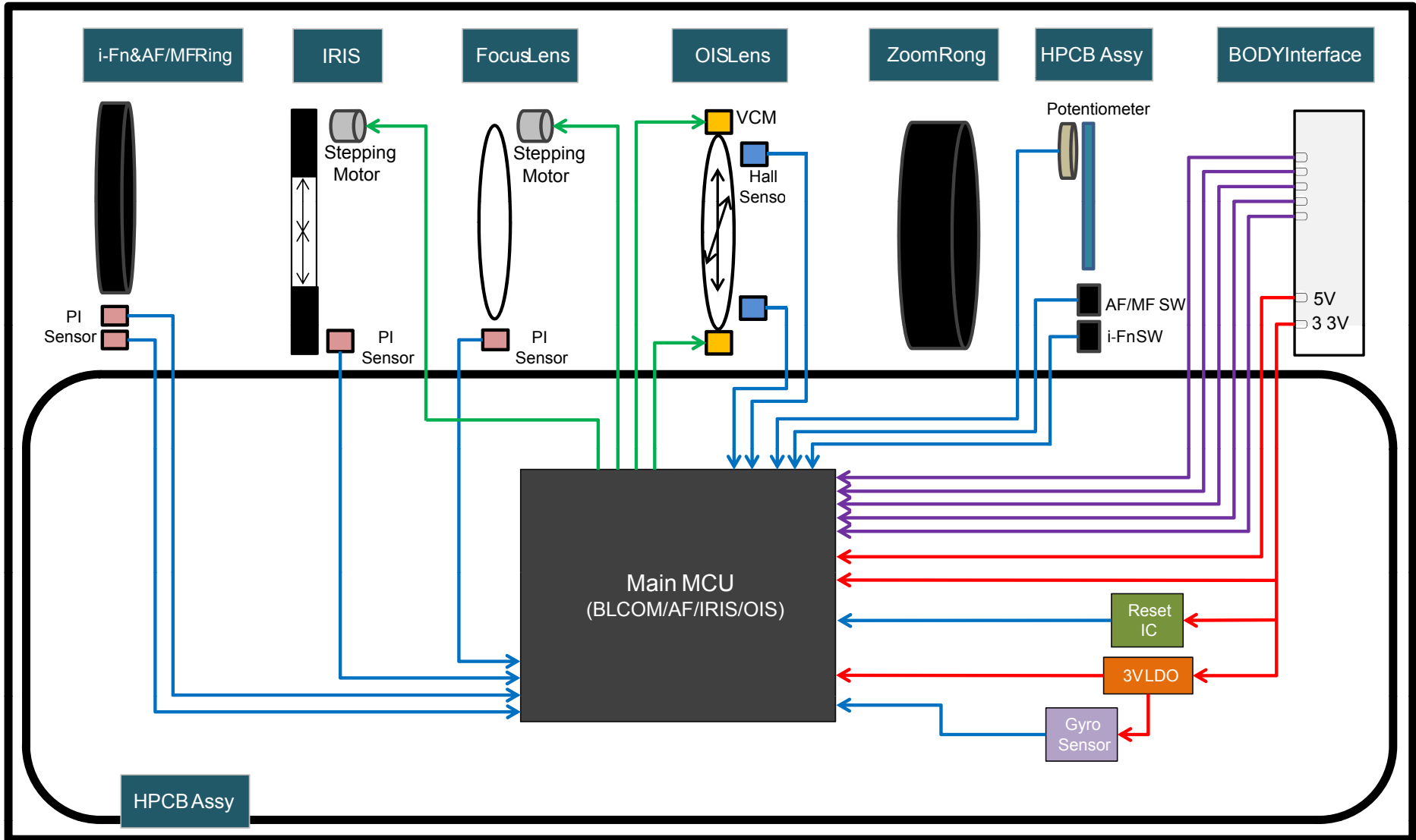


### 4-2 Main PCB(Bottom)



# 5. Block diagram

## SAMSUNG 1:3.5-5.6 18-55mmIII OIS Block Diagram



---

## 6. Firmware update


---

### 6-1 Before upgrading the firmware

---

1. Make sure you use fully charged batteries. It is recommended that you use an AC adaptor for cameras that have an AC adaptor.  
**If fully charged batteries are not used, or the power is cut during a firmware upgrade, the lens may be seriously damaged, resulting in lens malfunction.**
2. Before upgrading the lens firmware, make sure that you format the memory card on your PC or camera and then download the necessary firmware file. Since the memory card may not be suitable for lens firmware upgrade, depending on the model, check before you proceed with upgrading the lens firmware.
3. Download the lens firmware file into the root directory of the memory card. Also check that the lens firmware file downloaded has the correct file name for the camera's lens.
4. To upgrade lens firmware there should be sufficient free space on the memory card for the size of the lens firmware file.  
If the lens firmware upgrade is not completed because of insufficient memory space, delete some of the files saved on the memory to secure more free space and then try again.
5. Do not operate the camera, remove the batteries, or cut the power while upgrading lens firmware. Operate the camera only after the lens firmware upgrade is complete.
6. Once the lens firmware is upgraded, it is not possible to restore the earlier version of the lens firmware. When the lens firmware is upgraded, all the camera settings are set to their default values. Since all the files stored in the internal memory will be deleted, ensure that files are copied to other storage devices before upgrading the lens firmware.

## 6-2 How to upgrade the firmware

 If the batteries are completely discharged during the lens firmware upgrade, camera or lens malfunction may occur. Make sure to use fully charged batteries for safety. Ensure that you format the memory card before using it, and then save the lens firmware file on the formatted memory card.

1. Download the lens firmware file into the root directory of the memory card.
  - \* When you upgrade the lens firmware, the lens which you upgrade must be attached on the camera.
  - If you can not attach the lens to the camera, you can not upgrade it.
  - \* The file name of lens firmware is "lens.bin"
  - If there is a difference between attached lens and lens firmware file, you can find the "File Error" message.
2. Insert the memory card on which the lens firmware file is to be saved and then turn on the camera.
3. Press the menu button.
4. Move to "Setup Menu 3" (Press the left button of 4-way key.)
5. Select the "Firmware Update"  
(After pressing the left button of 4-way key, press the OK button for 1 time.)

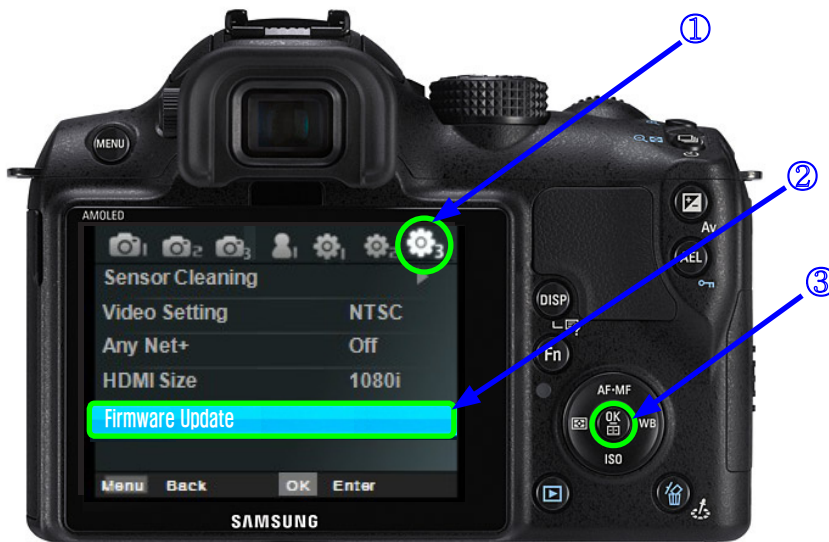


Fig. 6-1

6. Select the "Lens Firmware" . (Press the OK button for 1 time)

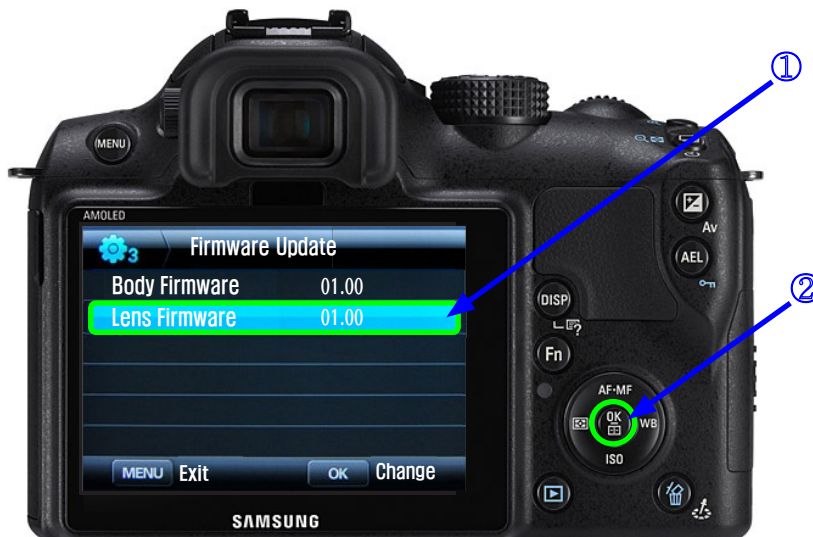


Fig. 6-2



7. Select “Yes” . (After pressing the down button of 4-way key, press the OK button for 1 time.)



Fig. 6-3

8. The progress of the Firmware upgrade will be displayed on the **LCD** and the upgrade will proceed.



Fig. 6-4

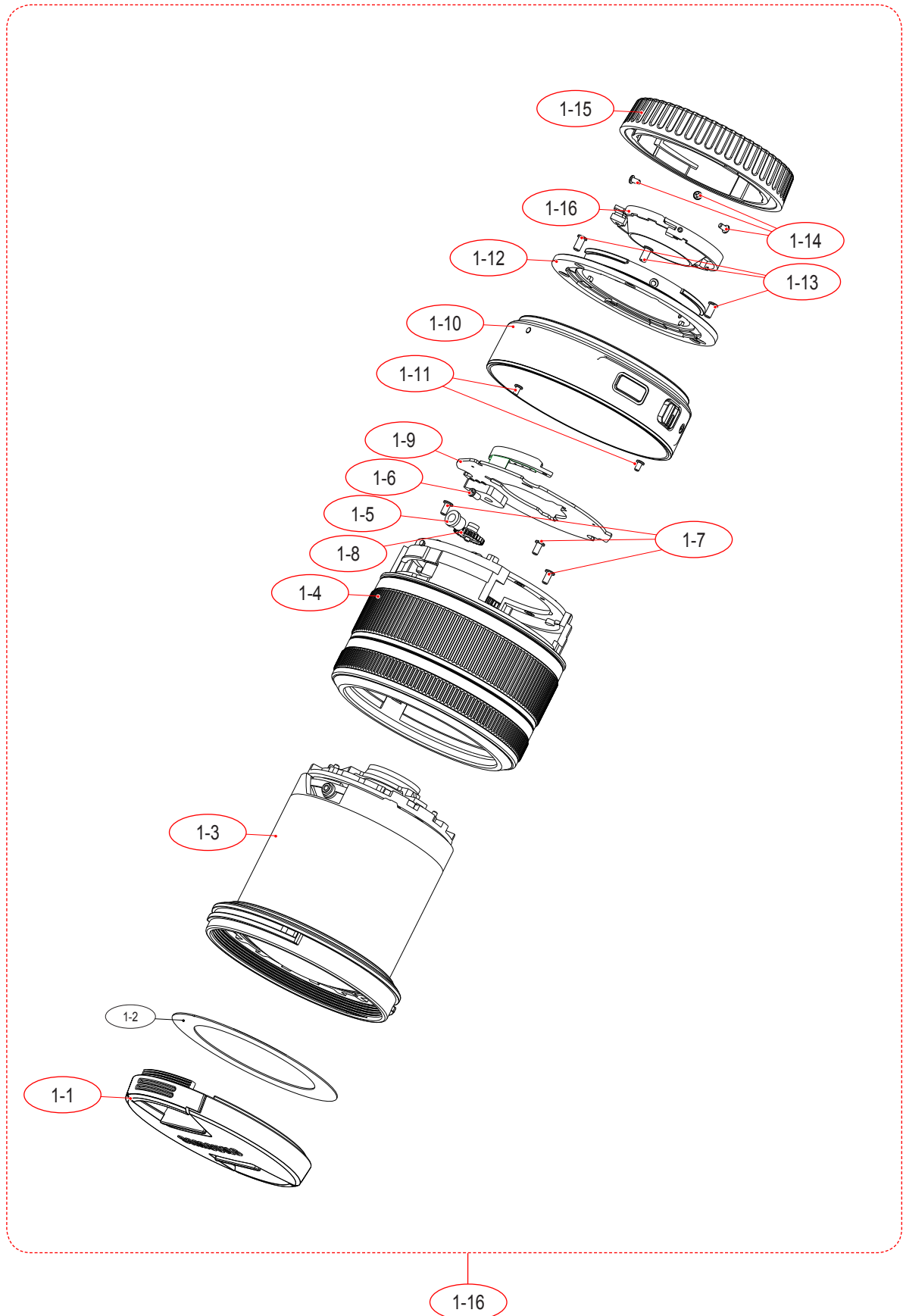
9. After finishing it, you can find the “**Update Completed**” message on the **LCD**.



Fig. 6-5

## 7. Exploded view and parts list

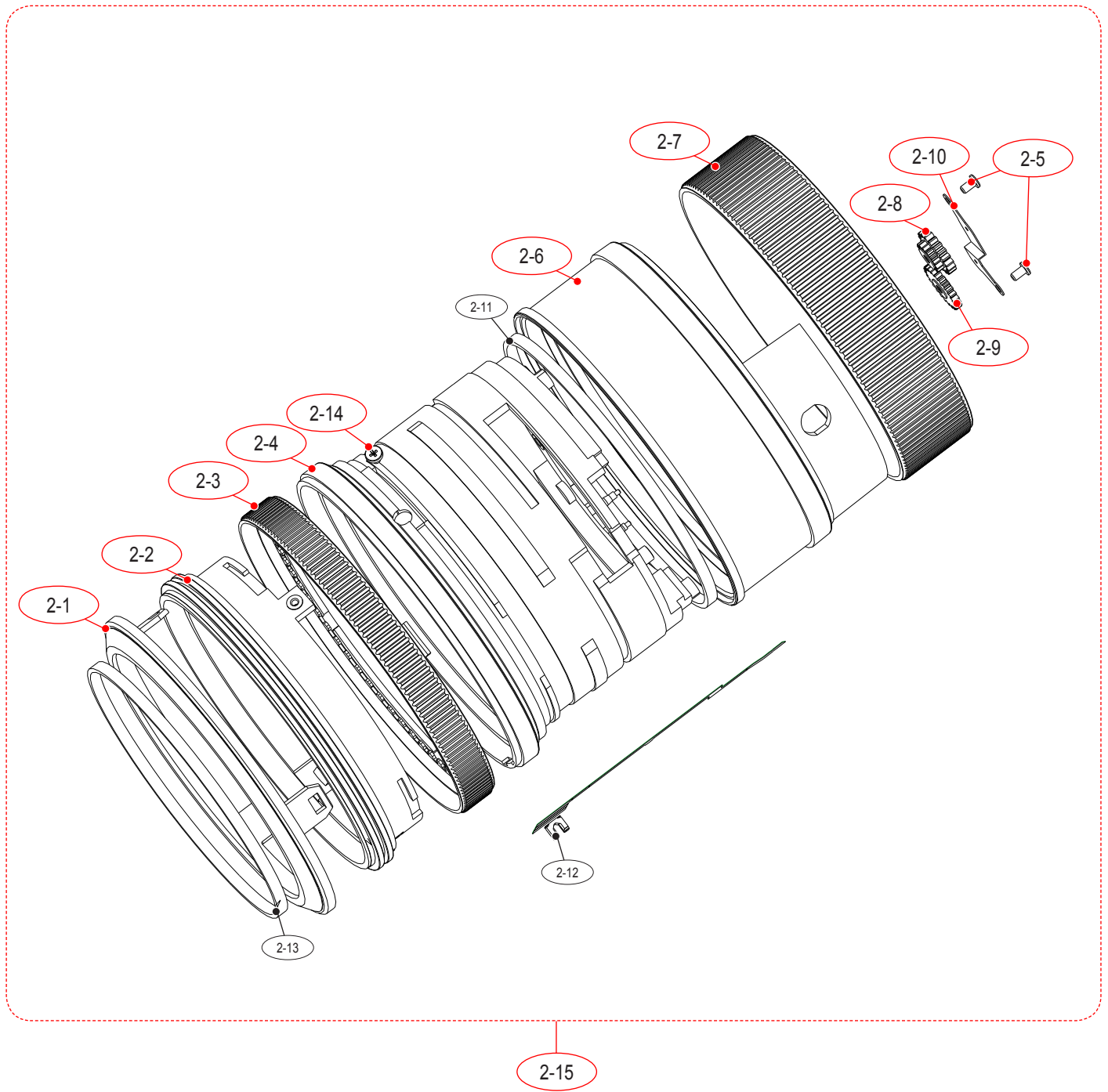
### 7-1 (XL1205: 18-55mm F3.5 - 5.6 OIS III) TOTAL BARREL ASSEMBLY



## Exploded View and Parts List

Loc. No	Parts No.	Description	Q ty	Available	Remark
1-1	AD97-18288A	ASSY-LENS CAP	1	O	
1-2	AD63-06912A	NAME PLATE	1	X	
1-3	AD97-21699B	SUB BARREL ASSY	1	O	
1-4	AD97-20985C	OUTER BARREL ASSY	1	O	
1-5	AD66-00732A	ZOOM ROLLER	1	O	
1-6	6003-001641	SCREW 1735-25	1	O	
1-7	6003-001703	SCREW TAPTYPE/M1.7 L3.5 ZPC(BLK)	3	O	
1-8	AD66-00725A	P-GEAR 3	1	O	
1-9	AD92-01898A	LENS PCB ASSY	1	O	
1-10	AD97-21213B	SWITCH ASSY	1	O	
1-11	6003-001674	SCREW TAPTYPE/M1.4 L2.5 Ni PLT	2	O	
1-12	AD61-05701A	MOUNT	1	O	
1-13	6003-000273	SCREW TAPTYPE/M2.0 L4.0 Ni PLT	3	O	
1-14	6003-001674	SCREW TAPTYPE/M1.4 L2.5 Ni PLT	3	O	
1-15	AD63-03989A	MOUNT CAP	1	O	
1-16	AD97-22427A	TOTAL BARREL ASSY	1	O	

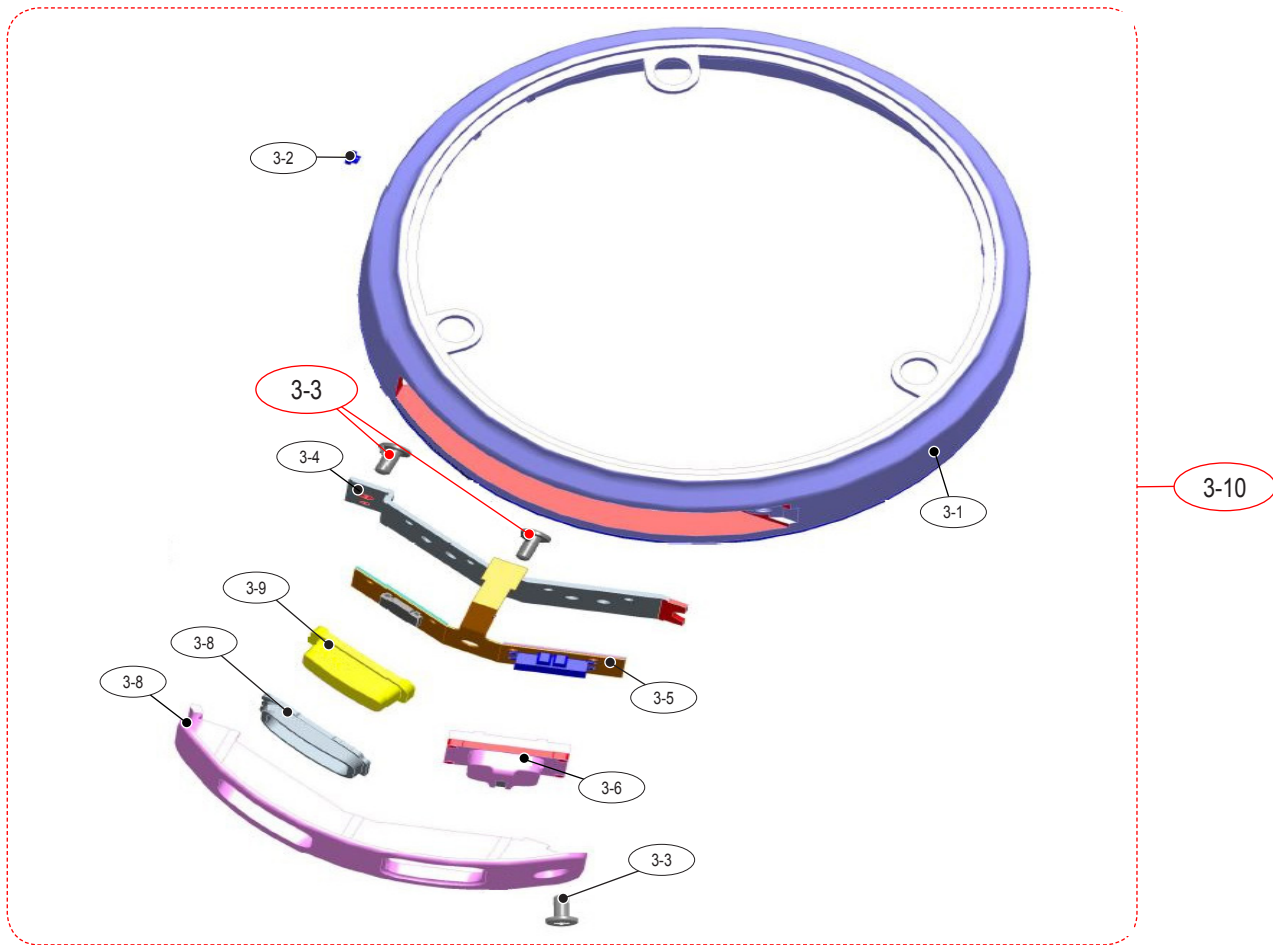
# 7-2 (XL1205: 18-55mm F3.5 - 5.6 OIS III) OUTER BARREL ASSEMBLY



## Exploded View and Parts List

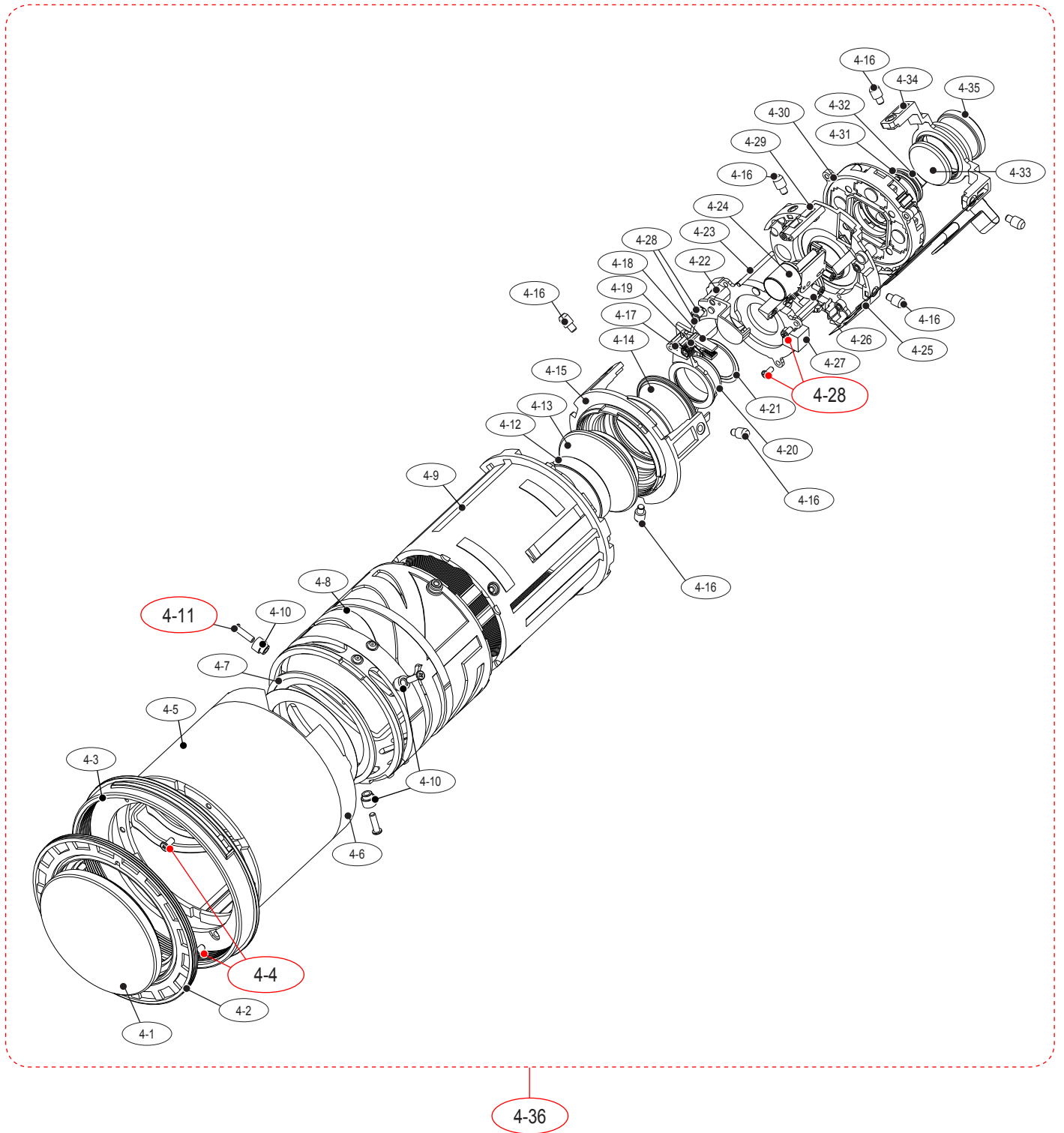
Loc. No	Parts No.	Description	Q ty	Available	Remark
2-1	AD67-01365B	INDEX RING3	1	O	
2-2	AD67-01362B	FOCUS RING2	1	O	
2-3	AD67-01361C	FOCUS RING1	1	O	
2-4	AD67-01364E	INDEX RING2	1	O	
2-5	6003-001769	SCREW 1425-25	2	O	
2-6	AD67-01377C	ZOOM RING	1	O	
2-7	AD67-02163A	ZOOM RUBBER	1	O	
2-8	AD66-00723A	P-GEAR 1	1	O	
2-9	AD66-00724A	P-GEAR 2	1	O	
2-10	AD61-04259A	P-PLATE	1	O	
2-11	AD63-04268A	SHIELD 1	1	X	
2-12	AD41-01327A	MFPI FPCB	1	X	
2-13	AD63-04270A	SHIELD 3	1	X	
2-14	AD66-01021A	SHAFT FOCUS SET	1	O	
2-15	AD97-20985C	OUTER BARREL ASSY	1	O	

## 7-3 OX1205: 18-55mm F3.5 - 5.6 OIS IID SWITCH ASSEMBLY



Loc. No	Parts No.	Description	Q ty	Available	Remark
3-1	AD67-01363D	INDEX RING1	1	X	
3-2	AD66-00680A	SET POINT	1	X	
3-3	6003-001770	SCREW 1430-30	3	O	
3-4	AD61-04258A	SLIDE SWITCH BASE	1	X	
3-5	AD92-01618A	SWITCH FPCB	1	X	
3-6	AD64-02675A	BUTTON	1	X	
3-7	AD63-04241C	BUTTON COVER	1	X	
3-8	AD64-03308B	BUTTON BLUE RING	1	X	
3-9	AD64-03293B	BUTTON PUSH	1	X	
3-10	AD97-21213B	SWITCH ASSY	1	O	

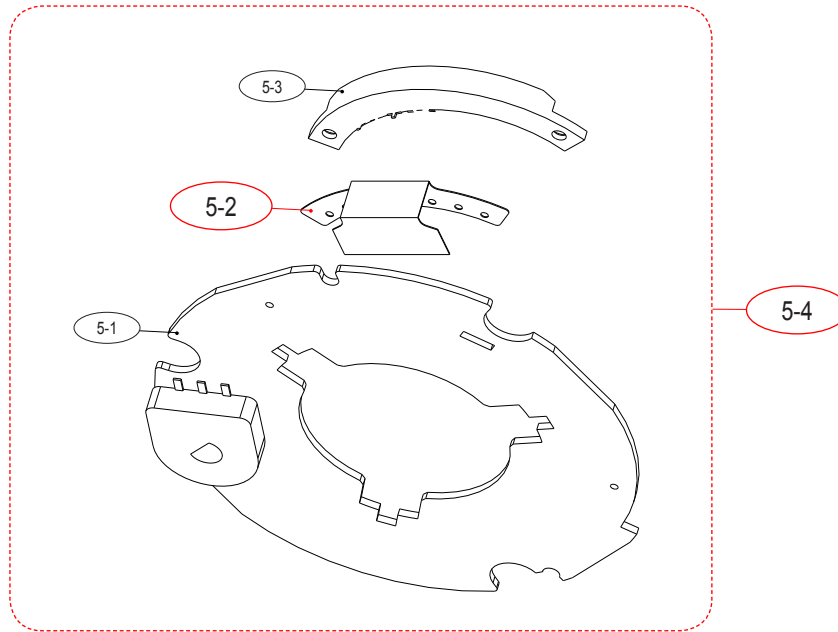
# 7-4 (XL1205: 18-55mm F3.5 - 5.6 OIS III) SUB BARREL ASSEMBLY



Loc. No	Parts No.	Description	Q ty	Available	Remark
4-1	AD67-01366A	G1/G2 LENS ASSY	1	X	
4-2	AD67-01352A	1ST LENS BARREL	1	X	
4-3	AD67-01360B	FILTER BARREL	1	X	
4-4	6003-001703	SCREW 1735-30	3	O	
4-5	AD67-01353B	1ST MOVER BARREL	1	X	
4-6	AD61-04270A	MASK G3	1	X	
4-7	AD67-01375A	2ND PUSH RING	1	X	
4-8	AD67-01358A	CAM BARREL	1	X	
4-9	AD67-01359A	MAIN BARREL	1	X	
4-10	AD66-00733A	CAM ROLLER	3	X	
4-11	6003-001671	SCREW 1750-25	3	O	
4-12	AD67-01367A	G3 LENS	1	X	
4-13	AD67-01368A	G4 LENS	1	X	
4-14	AD67-01369A	G5 LENS	1	X	
4-15	AD67-01354A	2ND MOVER BARREL	1	X	
4-16	AD66-00734A	MOVE PIN	9	X	
4-17	AD67-01355A	3RD BARREL	1	X	
4-18	AD61-04242A	CLIP	1	X	
4-19	6107-001826	CLIP SPRING	1	X	
4-20	AD67-01370A	G6 LENS	1	X	
4-21	AD61-04434A	MASK G6	1	X	
4-22	AD61-04243A	GUIDE BAR HOLDER	1	X	
4-23	AD66-00731A	GUIDE BAR	1	X	
4-24	AD97-17522A	AF MOTOR	1	X	
4-25	AD41-01326A	AF MOTOR FPCB	1	X	
4-26	AD67-01371A	G7/G8 LENS ASSY	1	X	
4-27	AD97-17534A	ASSY SHUTTER	1	X	
4-28	6003-001706	SCREW 1430-25	7	O	
4-29	AD67-01356B	4TH BARREL	1	X	
4-30	AD97-17503A	SHUTTER ASSY-OIS MECHA	1	X	
4-31	AD67-01376A	4-2ND BARREL	1	X	
4-32	AD67-01372A	G9/G10 LENS ASSY	1	X	
4-33	AD67-01374A	G11 LENS	1	X	
4-34	AD67-01357A	5TH MOVER BARREL	1	X	
4-35	AD67-01373A	G12 LENS	1	X	
4-36	AD97-19350A	SUB BARREL ASSY	1	O	

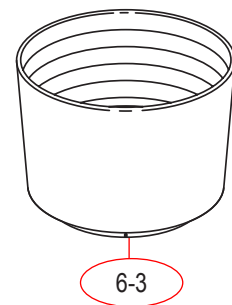
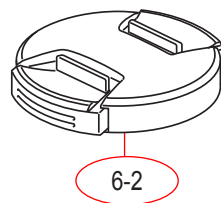
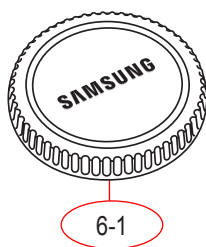


## 7-5 LENS PCB ASSEMBLY



Loc. No	Parts No.	Description	Q ty	Available	Remark
5-1	AD41-01874A	MAIN HPCB	1	X	
5-2	AD41-01305A	CONTACT FPCB	1	O	
5-3	AD61-04098A	LENS PCB ASSY	1	X	
5-4	AD92-01898A	Lens pcb assy	1	O	

## 7-6 PACKING ITEMS



Loc. No	Parts No.	Description	Q ty	Available	Remark
6-1	AD63-03989A	REAR-MOUNT CAP	1	O	
6-2	AD97-18288A	ASSY_FRONT_CAP	1	O	
6-3	AD97-19350A	ASSY BARREL-LENS HOOD	1	O	



Area	Web Site
Europe, MENA, CIS, Africa	<a href="https://gspn1.samsungcportal.com">https://gspn1.samsungcportal.com</a>
E.Asia, W.Asia, China, Japan	<a href="https://gspn2.samsungcportal.com">https://gspn2.samsungcportal.com</a>
N.America, S.America	<a href="https://gspn3.samsungcportal.com">https://gspn3.samsungcportal.com</a>

This Service Manual is a property of Samsung Electronics Co.,Ltd.  
Any unauthorized use of Manual can be punished under  
applicable International and/or domestic law.

© 2012 SAMSUNG Electronics Co.,Ltd  
All rights reserved.  
Printed in Korea  
Code No: EC-NX lens XL1205