



# DIGITAL CAMERA LENS

**NX Lens-XL1017**  
**SAMSUNG 18-200mm**  
**F3.5-6.3 ED**

# ***SERVICE***

# ***Manual***

## DIGITAL CAMERA LENS

## CONTENTS



1. Product Specification
2. Operation Instruction & Installation
3. Exploded View and Parts List



# Contents

## **1. Product Specification**

1-1 Specifications.....	1-1
1-2 Identification of features .....	1-1

## **2. Operation Instruction & Installation**

2-1 Install.....	2-1
------------------	-----

## **3. Exploded View and Parts List**

3-1 [XL1017 : 18-200mm F3.5-5.6 ED OIS) PART LIST .....	3-1
3-2 PACKING ITEMS .....	3-2

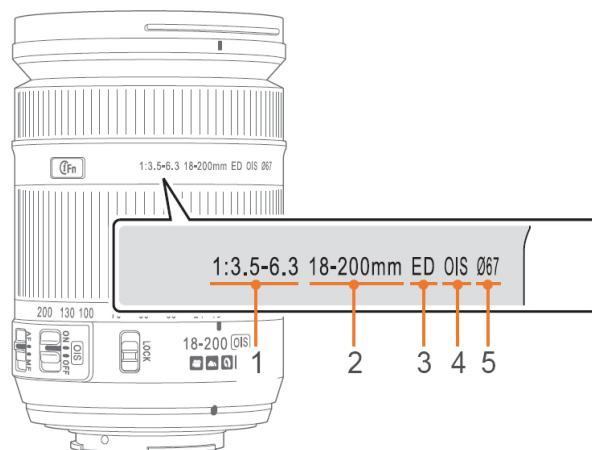
# 1. Product Specification

## 1-1 Specifications

Table. 1-1

Lens Name	SAMSUNG 18-200mm F3.5-6.3 ED
Focus Length	18-200mm (equivalent to 27.7-308mm in 35mm format)
Elements in Group	18 elements in 13 groups(3 aspheric lens, 2 low dispersive lens included)
Angle of View	75.9°-8.0°
Aperture	F3.5-6.3 (minimum: F22),(Number of Blades: 7, Circular Aperture Diaphragm)
Mount Type	Samsung NX mount
Optical Image Stabilizer	Included
Minimum Focus Distance	0.50m-infinity
Maximum Magnification	Approx. 0.28X
Lens Hood	Included
i-Scene Mode	Supported (Portrait, Children, Sports, Backlight, Landscape, Sunset, Dawn, Night)
Lens Hood	Included
Filter Size	67mm
Max. Diameter X Length	72 X 105.5mm
Weight	Approx. 549g (without hood)
Operating Temperature	0-40 °C
Operating Humidity	5-85%

## 1-2 Identification of features



<b>1. Aperture value</b>	A range of supported aperture values. For example, 1:3.5-6.3 means the maximum aperture value range from 3.5 to 6.3.
<b>2. Focal length</b>	The distance from the middle of the lens to its focal point(in millimeters). This figure is expressed in a range: minimum focal length to maximum focal length of the lens. Longer focal lengths result in narrower angles of view and the subject is magnified. Shorter focal lengths result in wider angles of view.
<b>3. ED</b>	ED stands for Extra-low Dispersion. Extra-low dispersion glass is effective in minimizing chromatic aberration (a distortion that occurs when a lens fails to focus all colors to the same convergence point).
<b>4. OIS</b>	Optical Image Stabilization. Lenses with this feature can detect camera shake and effectively cancel out the movement inside the camera.
<b>5. Ø</b>	The lens diameter. When you attach a filter to the lens, make sure that the diameters of the lens and the filter are the same.

Fig. 1-1

## 2. Operation Instruction & Installation

### 2-1 Install

#### 2-1-1 Attach the lens



- Before mounting the lens, remove the lens cap, lens mount cover, and body cap.

1) Align the red mark on the lens with the red mark on the camera body.

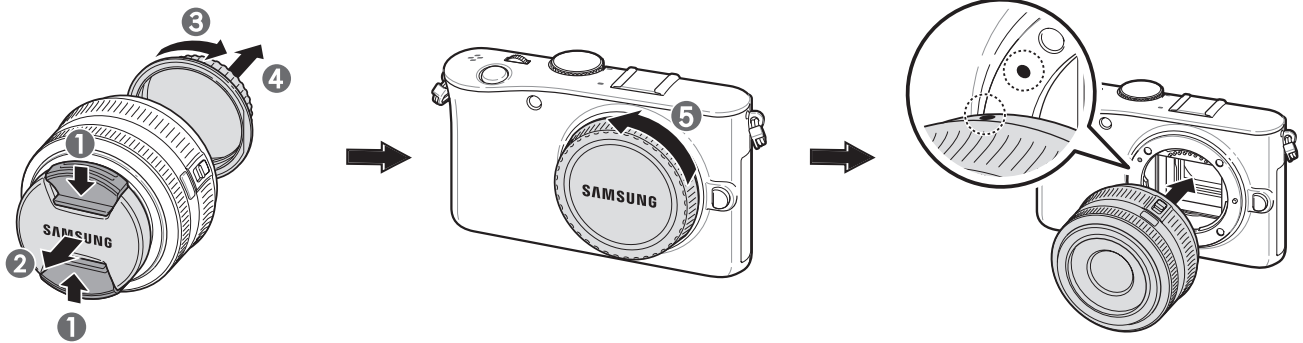


Fig. 2-1

2) Rotate the lens clockwise until it locks into place.

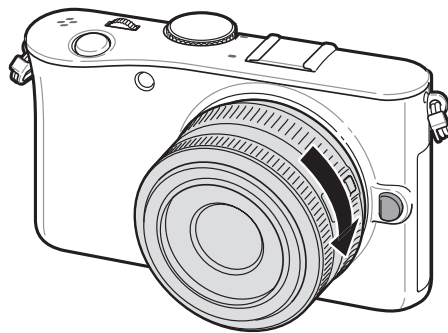


Fig. 2-2

#### **⚠ Caution**

- **If you attach a lens with the zoom lock switch, unlock it by rotating the zoom ring counter-clockwise. When the lens is locked, you cannot capture photos and the Lens is locked message appears.**
- **To lock the lens with the zoom lock switch, turn the zoom ring clockwise while pushing the zoom lock switch..**

## 2-1-2 Remove the lens

- 1) Turn off the camera before removing the lens.
- 2) Rotate the lens clockwise until it locks into place.

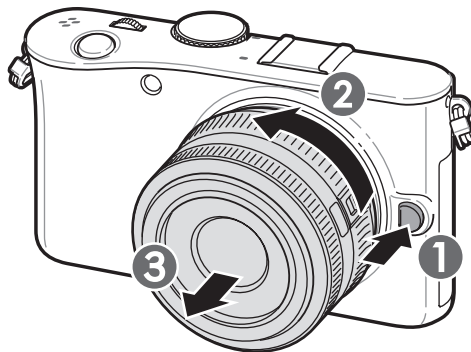


Fig. 2-3

### **⚠ Caution**

- Samsung is not responsible for damage caused by using another manufacturer's lenses.
- When not using the lens, attach the lens cap and lens mount cover to protect the lens from dust and scratches.
- Do not attach or remove lenses in dusty, dirty areas. Dust and foreign particles can damage the lens or the camera.
- Do not touch the inside of the camera mount. Dust and foreign particles can damage the lens.
- When not using a lens, attach the body cap.

### 2-1-3 Setting the automatic/manual focus function



- The focus can be adjusted automatically or manually by using the AF/MF switch on the side of the lens.

#### 1) Use of automatic focus

Set the AF/MF switch of the camera to AF. The focus is adjusted automatically if pressing half of the shutter button.

#### 2) Use of manual focus

Set the AF/MF switch of the lens to MF. The focus can be adjusted manually by turning the focus ring.

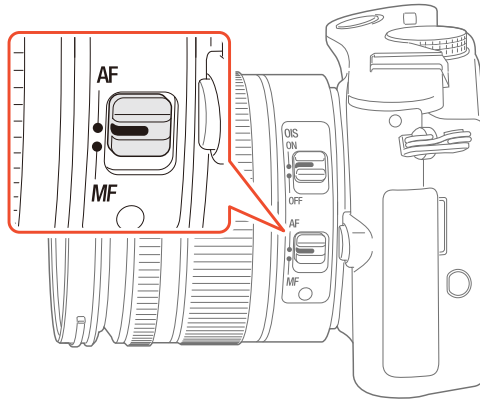


Fig. 2-4

### 2-1-4 Optical Image Stabilization (OIS)



- When using the optical image stabilization (OIS) function in taking pictures, the user can accurately focus pictures since this function minimizes camera shaking.

1) The OIS function can be used only in the case that the lens in use has the OIS function.

2) To use this function, please set [OIS] to ON.

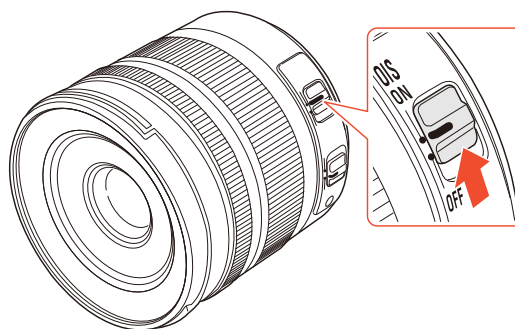
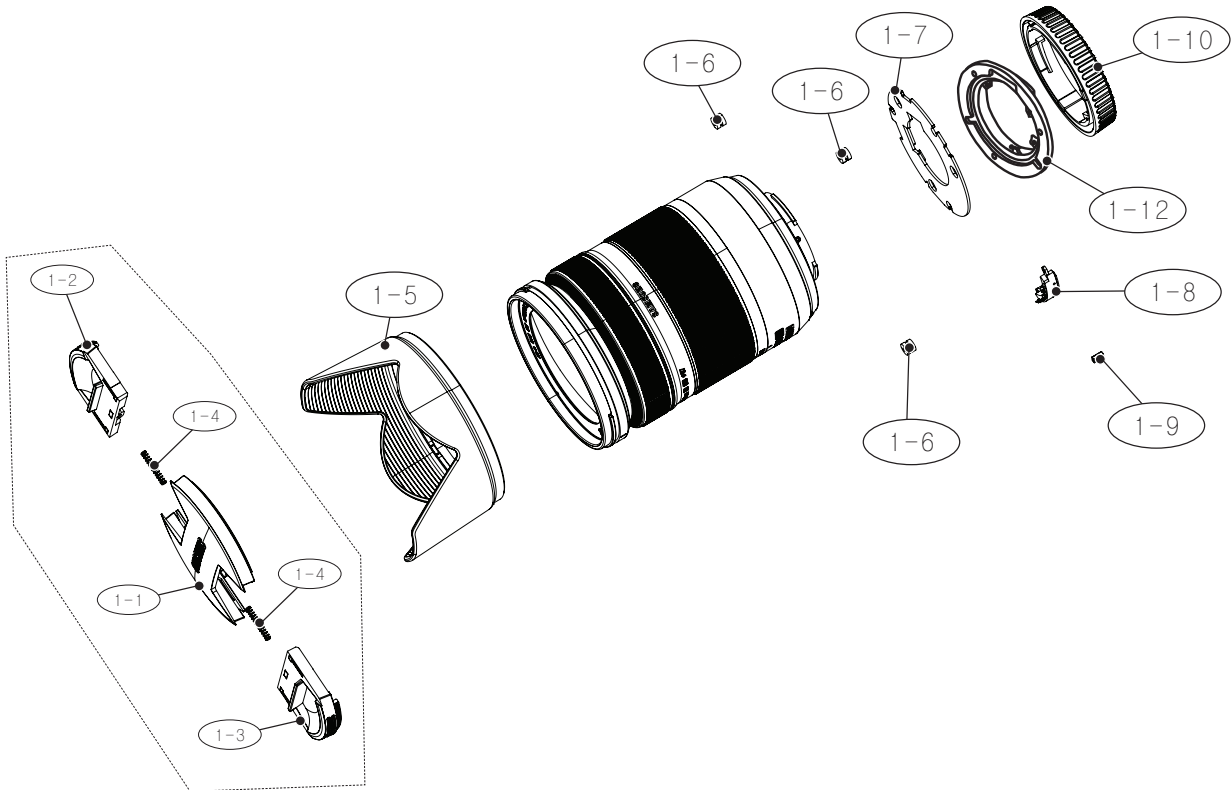


Fig. 2-5

# Memo

### 3. Exploded View and Parts List

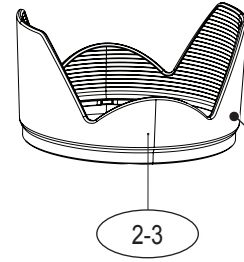
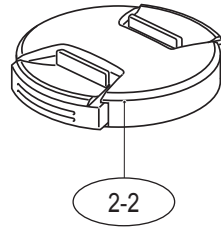
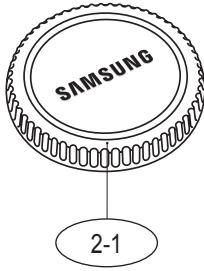
#### 3-1 (XL1017 : 18-200mm F3.5-5.6 ED OIS) PART LIST



Loc. No	Parts No.	Description	Q ty	Available	Remark
1-1	AD63-05514A	COVER-LENS CAP BASE	1	X	
1-2	AD63-05515A	COVER-LENS CAP LEVER1	1	X	
1-3	AD63-05516A	COVER-LENS CAP LEVER2	1	X	
1-4	6107-002900	SPRING-CS;SUS304-WPB	2	X	
1-5	AD67-02162A	BARREL-HOOD;XL1017	1	O	
1-6	AD63-04224A	CUSHION-PCB	3	O	
1-7	AD92-01617A	ASSY SMD INSERT-XL 1017 MAIN	1	O	
1-8	AD61-04213A	PLATE-CONTACT ASSY	1	O	
1-9	AD63-04940A	CUSHION SHIELD FOAM-EMI GASKET	1	O	
1-10	AD63-03989A	COVER-MOUNT CAP	1	O	
1-11	AD97-20681A	LENS CAP ASSY 67mm (1-1~4)	1	O	
1-12	AD81-10026A	MOUNT_LENS_XL1017	1	O	



### 3-2 PACKING ITEMS



Loc. No	Parts No.	Description	Q ty	Available	Remark
2-1	AD63-03989A	REAR-MOUNT CAP	1	0	
2-2	AD97-20681A	ASSY_FRONT_CAP	1	0	
2-3	AD67-02162A	ASSY BARREL-LENS HOOD	1	0	



Area	Web Site
Europe, MENA, CIS, Africa	<a href="https://gspn1.samsungcportal.com">https://gspn1.samsungcportal.com</a>
E.Asia, W.Asia, China, Japan	<a href="https://gspn2.samsungcportal.com">https://gspn2.samsungcportal.com</a>
N.America, S.America	<a href="https://gspn3.samsungcportal.com">https://gspn3.samsungcportal.com</a>

This Service Manual is a property of Samsung Electronics Co.,Ltd.  
Any unauthorized use of Manual can be punished under  
applicable International and/or domestic law.

© 2011 SAMSUNG Electronics Co.,Ltd  
All rights reserved.  
Printed in Korea  
Code No: EC-NX lens