



DIGITAL CAMERA LENS

NX Lens-XL1015

SAMSUNG 20-50mm F3.5-5.6 ED

SERVICE

Manual

DIGITAL CAMERA LENS

CONTENTS



1. Product Specification
2. Operation Instruction & Installation
3. Exploded View and Parts List



Contents

1. Product Specification

1-1 Specifications	1-1
1-2 Identification of features.....	1-1

2. Operation Instruction & Installation

2-1 Install	2-1
-------------------	-----

3. Exploded View and Parts List

3-1 (XL1015 : 20-50mm F3.5-5.6 ED) TOTAL ASSEMBLY	3-1
3-2 (XL1015 : 20-50mm F3.5-5.6 ED) SUB BARREL ASSEMBLY	3-3
3-2 (XL1015 : 20-50mm F3.5-5.6 ED) SUB BARREL ASSEMBLY	3-3
3-3 (XL1015 : 20-50mm F3.5-5.6 ED) REAR COVER ASSEMBLY	3-5
3-4 (XL1015 : 20-50mm F3.5-5.6 ED) AF BASE ASSEMBLY	3-6
3-5 (XL1015 : 20-50mm F3.5-5.6 ED) FRONT COVER ASSEMBLY ...	3-7
3-6 (XL1015 : 20-50mm F3.5-5.6 ED) ZOOM RING ASSY.....	3-8
3-7 (XL1015 : 20-50mm F3.5-5.6 ED) PACKING ITEMS	3-9

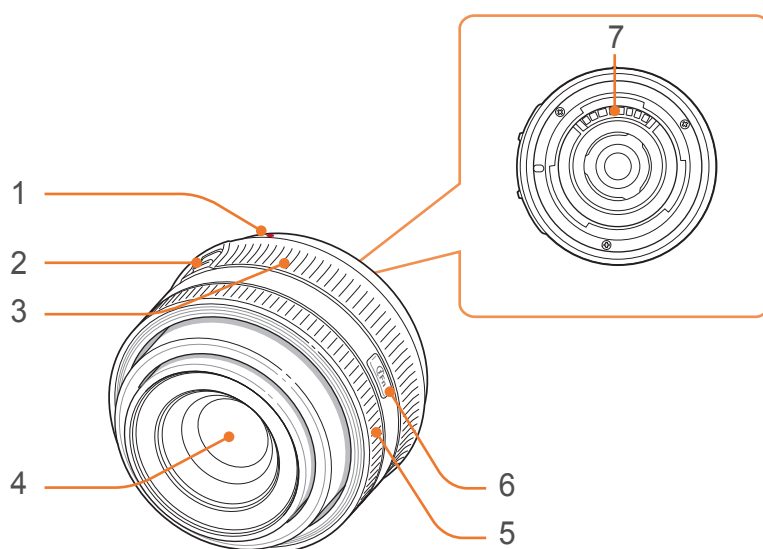
1. Product Specification

1-1 Specifications

Table. 1-1

Lens Name	SAMSUNG 20~50mm F3.5~5.6 ED
Focus Length	20~50mm (equivalent to 30.8~77mm in 35mm format)
Elements in Group	9 elements in 8 groups (1 aspheric lens, 1 low dispersive lens included)
Angle of View	70.2°~31.4°
Aperture	F3.5~5.6 (minimum: F22), (Number of Blades: 7, Circular Aperture Diaphragm)
Mount Type	Samsung NX mount
Optical Image Stabilizer	Not included
Minimum Focus Distance	0.28m~infinity
Maximum Magnification	Approx. 0.22X
i-Scene Mode	Supported(Beauty, Portrait, Children, Backlight, Landscape, Sunset, Dawn, Beach&Snow, Night)
Filter Size	40.5mm
Max. Diameter x Length	64x39.8mm
Weight	Approx.119g
Operating Temperature	0~40 °C
Operating Humidity	5~85%

1-2 Identification of features



1	Lens mount index
2	Zoom lock switch
3	Zoom ring
4	Lens
5	Focus ring
6	iFn button
7	Lens contacts

Fig. 1-1

2. Operation Instruction & Installation

2-1 Install

2-1-1 Attach the lens



- Before mounting the lens, remove the lens cap, lens mount cover, and body cap.

1) Align the red mark on the lens with the red mark on the camera body.

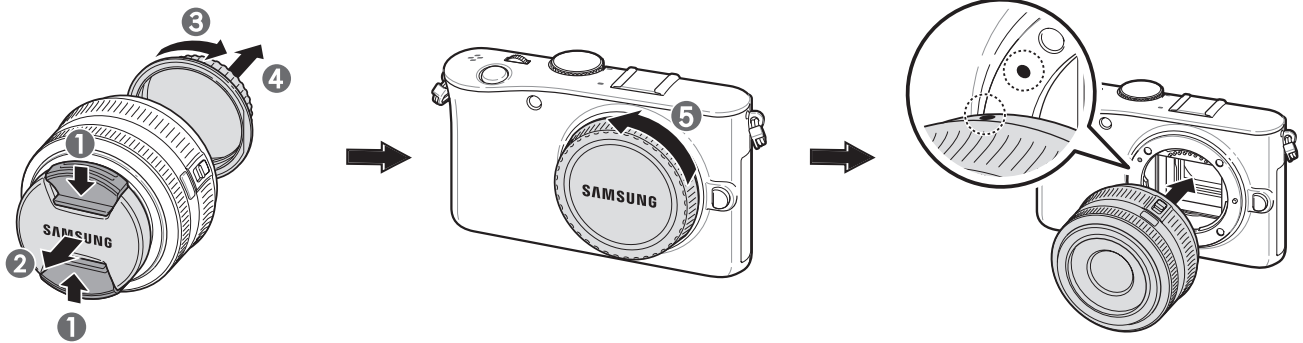


Fig. 2-1

2) Rotate the lens clockwise until it locks into place.

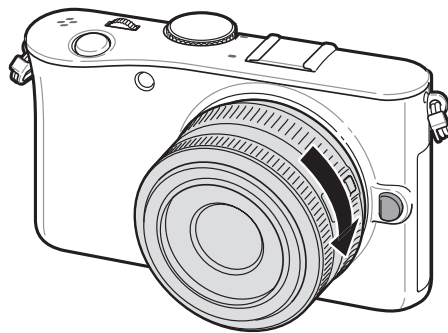


Fig. 2-2

⚠ Caution

- **If you attach a lens with the zoom lock switch, unlock it by rotating the zoom ring counter-clockwise. When the lens is locked, you cannot capture photos and the Lens is locked message appears.**
- **To lock the lens with the zoom lock switch, turn the zoom ring clockwise while pushing the zoom lock switch..**

2-1-2 Remove the lens

- 1) Turn off the camera before removing the lens.
- 2) Rotate the lens clockwise until it locks into place.

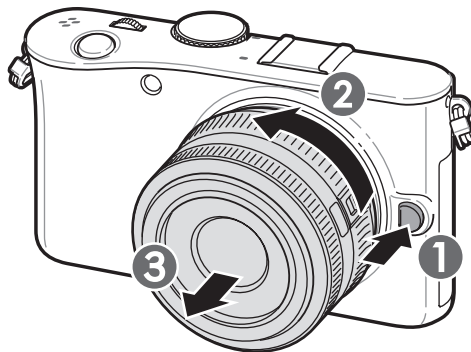


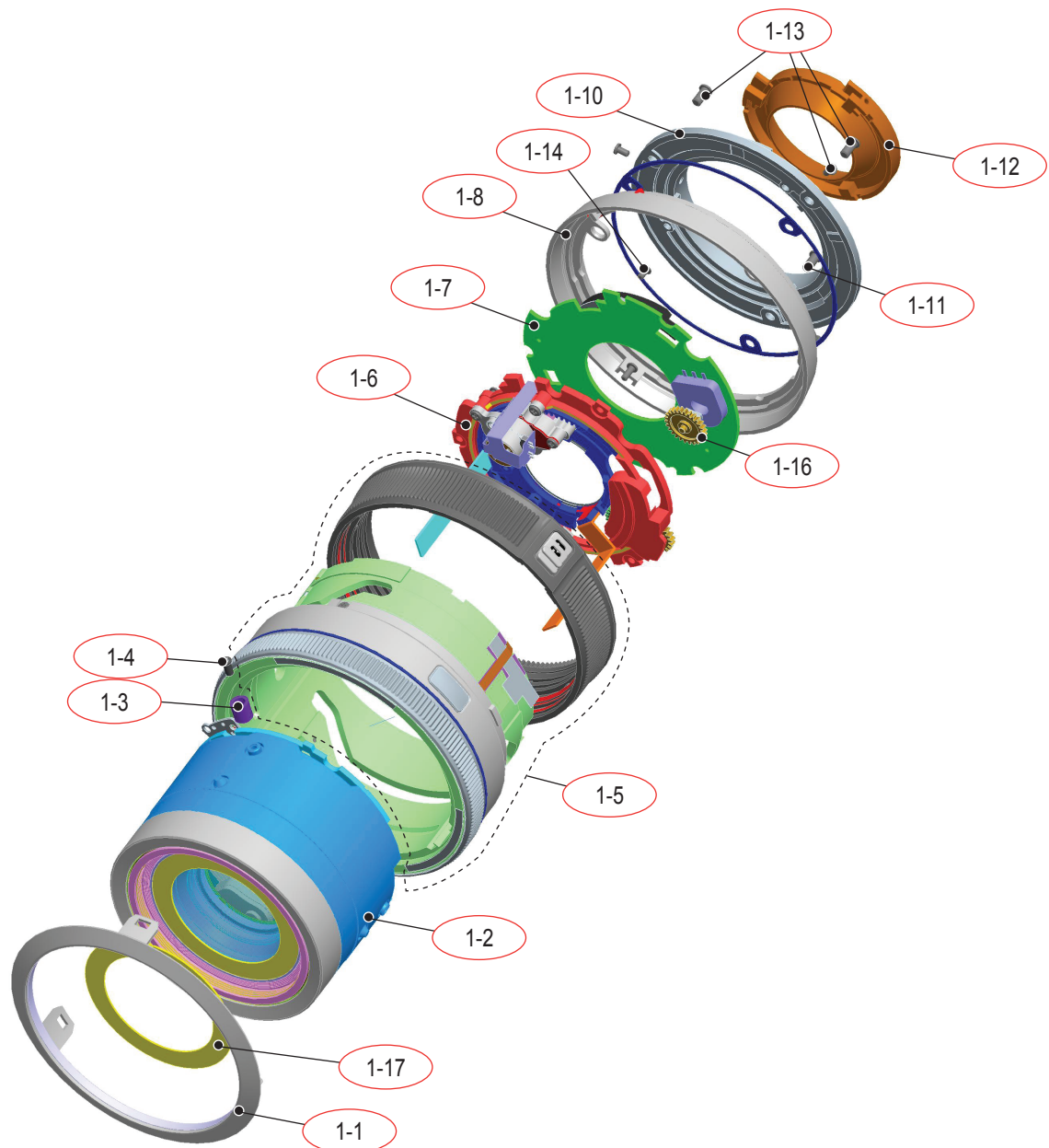
Fig. 2-3

⚠ Caution

- Samsung is not responsible for damage caused by using another manufacturer's lenses.
- When not using the lens, attach the lens cap and lens mount cover to protect the lens from dust and scratches.
- Do not attach or remove lenses in dusty, dirty areas. Dust and foreign particles can damage the lens or the camera.
- Do not touch the inside of the camera mount. Dust and foreign particles can damage the lens.
- When not using a lens, attach the body cap.

3. Exploded View and Parts List

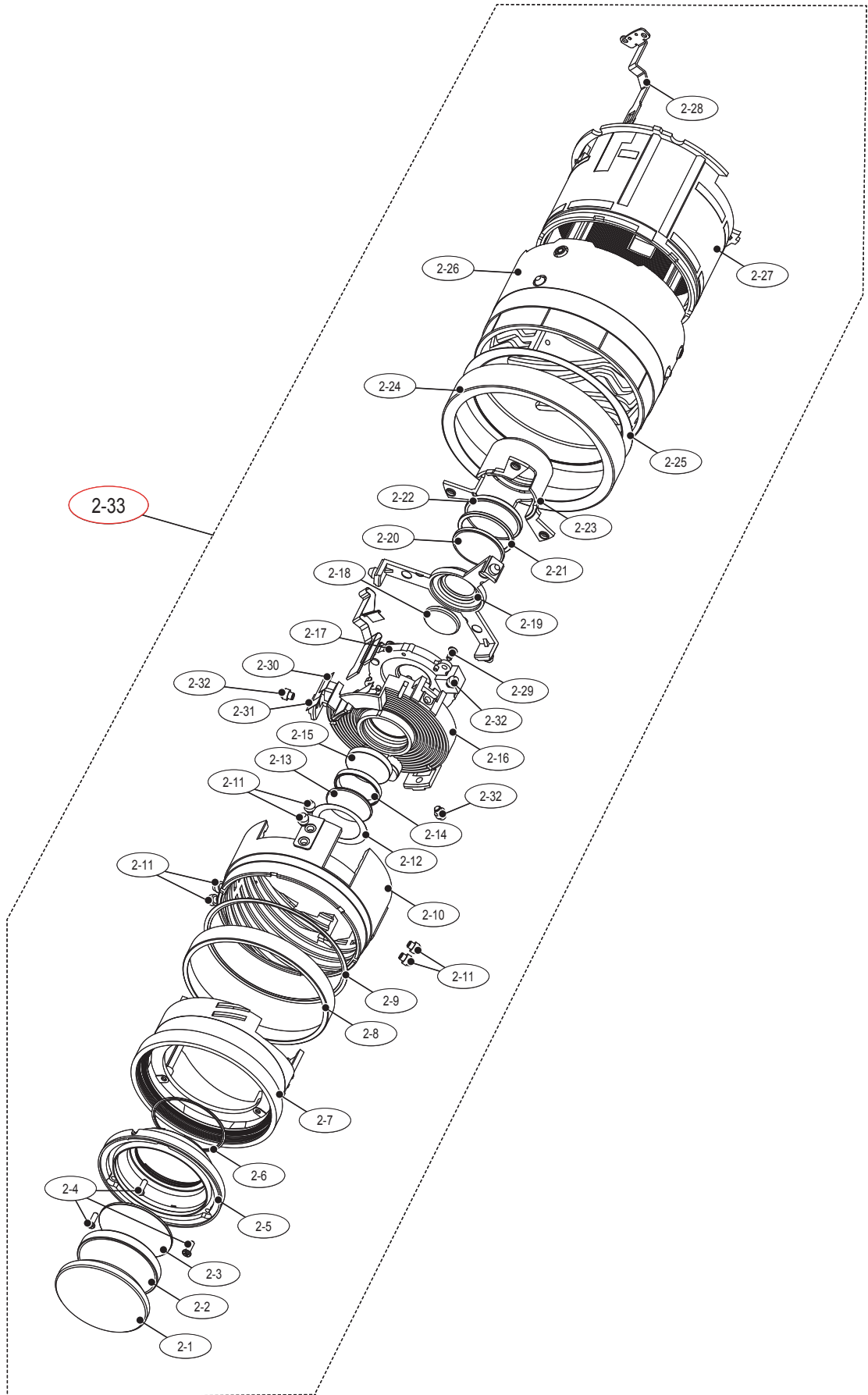
3-1 (XL1015 : 20-50mm F3.5-5.6 ED) TOTAL ASSEMBLY



Exploded View and Parts List

Loc. No	Parts No.	Description	Q ty	Available	Remark
1-1	AD97-19902A	FRONT COVER ASSY	1	○	
1-2	AD97-19885B	SUB BARREL ASSY_BK/PK	1	○	BLACK/PINK
	AD97-19885A	SUB BARREL ASSY_WT	1	○	WHITE
1-3	AD66-00817A	ZOOM ROLLER	2	○	
1-4	6003-001641	SCREW 1735-25	2	○	
1-5	AD97-22546A	OUTER BARREL ASSY_BK	1	○	BLACK
	AD97-22546B	OUTER BARREL ASSY_WT	1	○	WHITE
	AD97-22546D	OUTER BARREL ASSY_PK	1	○	PINK
1-6	AD97-19889A	AF BASE ASSY	1	○	
1-7	AD92-01947A	LENS PCB ASSY	1	○	
1-8	AD97-22547A	REAR COVER ASSY_BK	1	○	BLACK
	AD97-22547B	REAR COVER ASSY_WT	1	○	WHITE
	AD97-22547D	REAR COVER ASSY_PK	1	○	PINK
1-9	AD61-04780A	ADJ WASHER	1	○	
1-10	AD61-04894A	MOUNT	1	○	
1-11	6003-001769	SCREW 1425-25	5	○	
1-12	AD63-05333B	MOUNT COVER	1	○	
1-13	6003-001759	SCREW 2040-30	3	○	
1-14	6003-001369	SCREW 1425-25(HT0.3)	2	○	
1-15	6003-001630	SCREW 1435-25	3	○	
1-16	AD66-00809A	P-GEAR 3	1	○	
1-17	AD61-05728A	NAME PLATE	1	○	

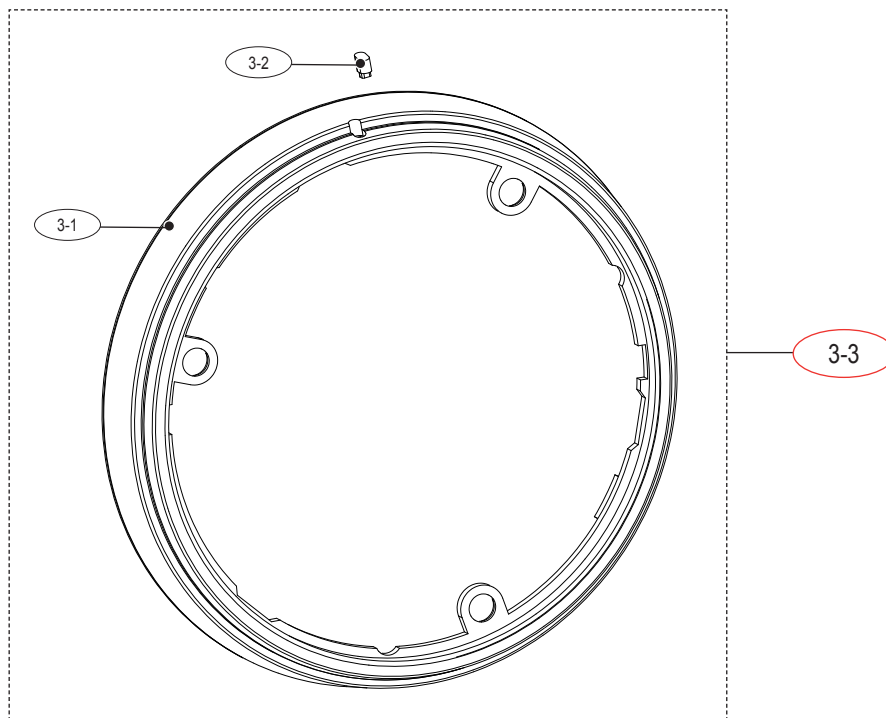
3-2 0NLI00552020050m10.555-ED6SUB BARREL ASSEMBLY ASSEMBLY



Exploded View and Parts List

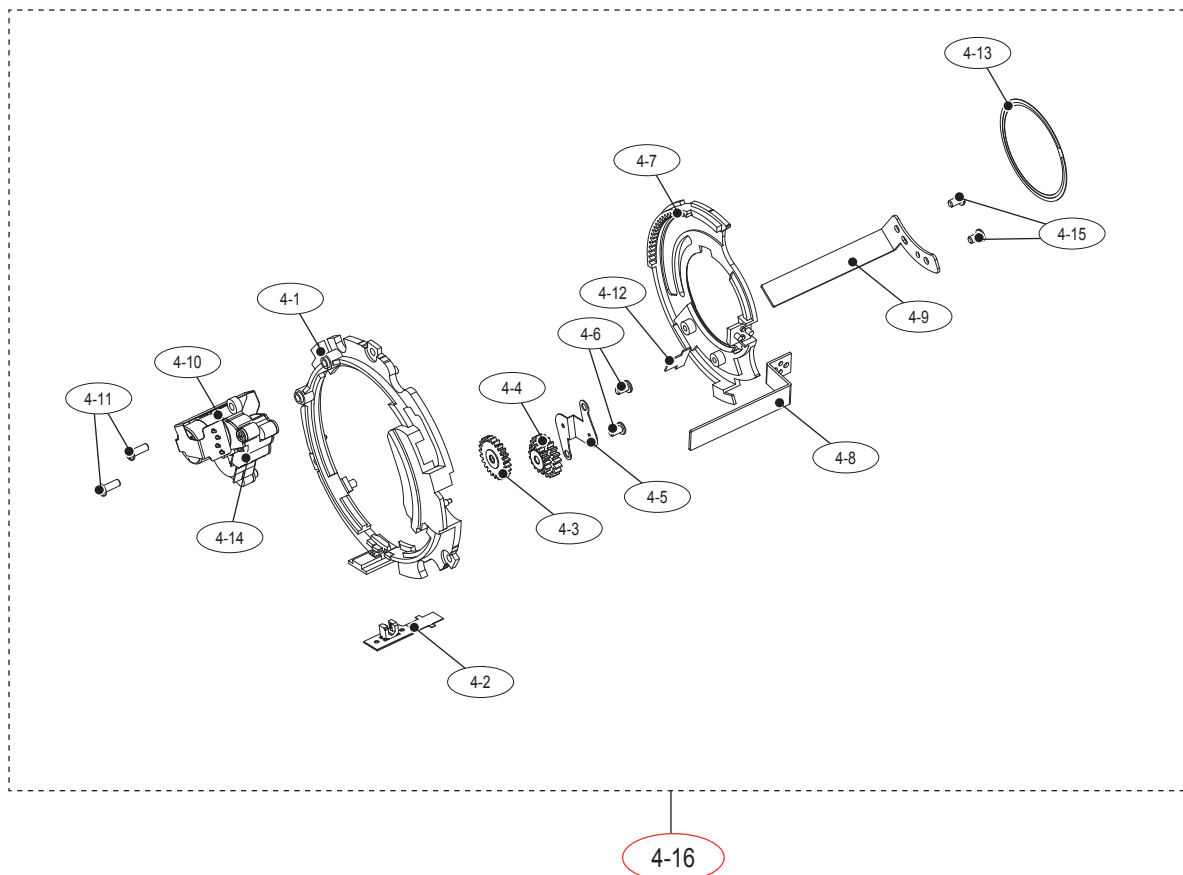
Loc. No	Parts No.	Description	Q ty	Available	Remark
2-1	AD67-01793A	G1 LENS	1	X	
2-2	AD67-01794A	G2 LENS	1	X	
2-3	AD67-01795A	G3 LENS	1	X	
2-4	6003-001657	SCREW 1440-25	3	X	
2-5	AD67-01764A	1ST LENS BARREL	1	X	
2-6	AD61-04777A	G3 MASK	1	X	
2-7	AD67-01769A	FILTER BARREL	1	X	
2-8	AD61-04782A	DECO RING 1ST	1	X	
2-9	AD63-05336A	SHEILD 1ST	1	X	
2-10	AD67-01765A	1ST MOVER BARREL	1	X	
2-11	AD66-00816A	MOVE PIN 1ST	6	X	
2-12	AD61-04778A	G4 MASK	1	X	
2-13	AD67-01796A	G4 LENS	1	X	
2-14	AD60-00084A	G4 SPCAER	1	X	
2-15	AD67-01801A	G5/6 LENS	1	X	
2-16	AD67-01766A	2ND MOVER BARREL	1	X	
2-17	AD97-22130A	IRIS ASSY_BK/PK	1	X	BLACK/PINK
	AD97-19660A	IRIS ASSY_WT	1	X	WHITE
2-18	AD67-01799A	G7 LENS	1	X	
2-19	AD67-01767A	3RD MOVER BARREL	1	X	
2-20	AD67-01802A	G8 LENS	1	X	
2-21	AD60-00083A	G8 SPACER	1	X	
2-22	AD67-01800A	G9 LENS	1	X	
2-23	AD67-01768A	4TH MOVER BARREL	1	X	
2-24	AD61-04783A	DECO RING CAM	1	X	
2-25	AD63-05337A	SHIELD CAM	1	X	
2-26	AD67-01771A	CAM BARREL	1	X	
2-27	AD67-01770A	GUIDE BARREL	1	X	
2-28	AD61-04816A	FPC PLATE	1	X	
2-29	6003-001706	SCREW 1430-25	2	X	
2-30	AD63-05549A	IRIS FPCB TAPE2	1	X	
2-31	AD63-05550A	IRIS FPCB TAPE3	1	X	
2-32	AD66-00840A	MOVE PIN 3RD	3	X	
2-33	AD97-19885B	SUB BARREL ASSY_BK/PK	1	o	BLACK/PINK
	AD97-19885A	SUB BARREL ASSY_WT	1	o	WHITE

3-3 (XL1015 : 20-50mm F3.5-5.6 ED) REAR COVER ASSEMBLY



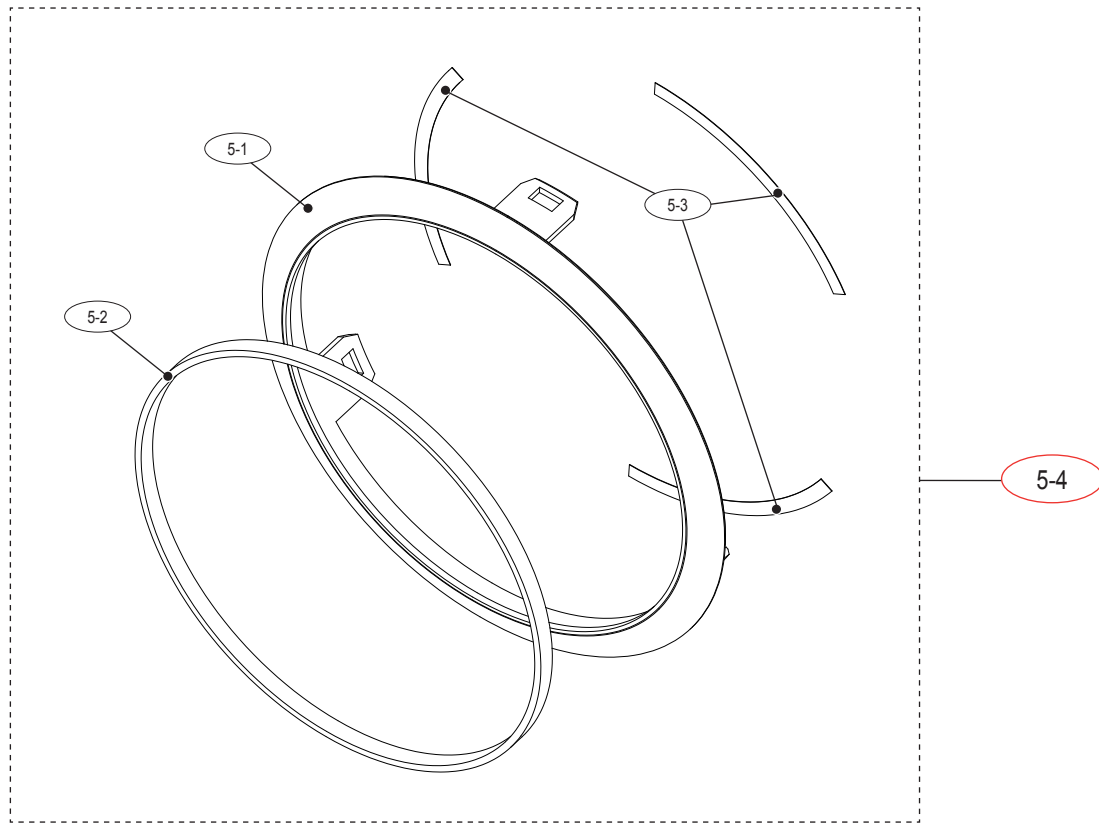
Loc. No	Parts No.	Description	Q ty	Available	Remark
3-1	AD67-02493A	REAR COVER_BK	1	X	BLACK
	AD67-02493B	REAR COVER_WT	1	X	WHITE
	AD67-02493C	REAR COVER_PK	1	X	PINK
3-2	AD66-00680A	SET POINT	1	X	
3-3	AD97-22547A	REAR COVER ASSY_BK	1	○	BLACK
	AD97-22547B	REAR COVER ASSY_WT	1	○	WHITE
	AD97-22547D	REAR COVER ASSY_PK	1	○	PINK

3-4 (XL1015 : 20-50mm F3.5-5.6 ED) AF BASE ASSEMBLY



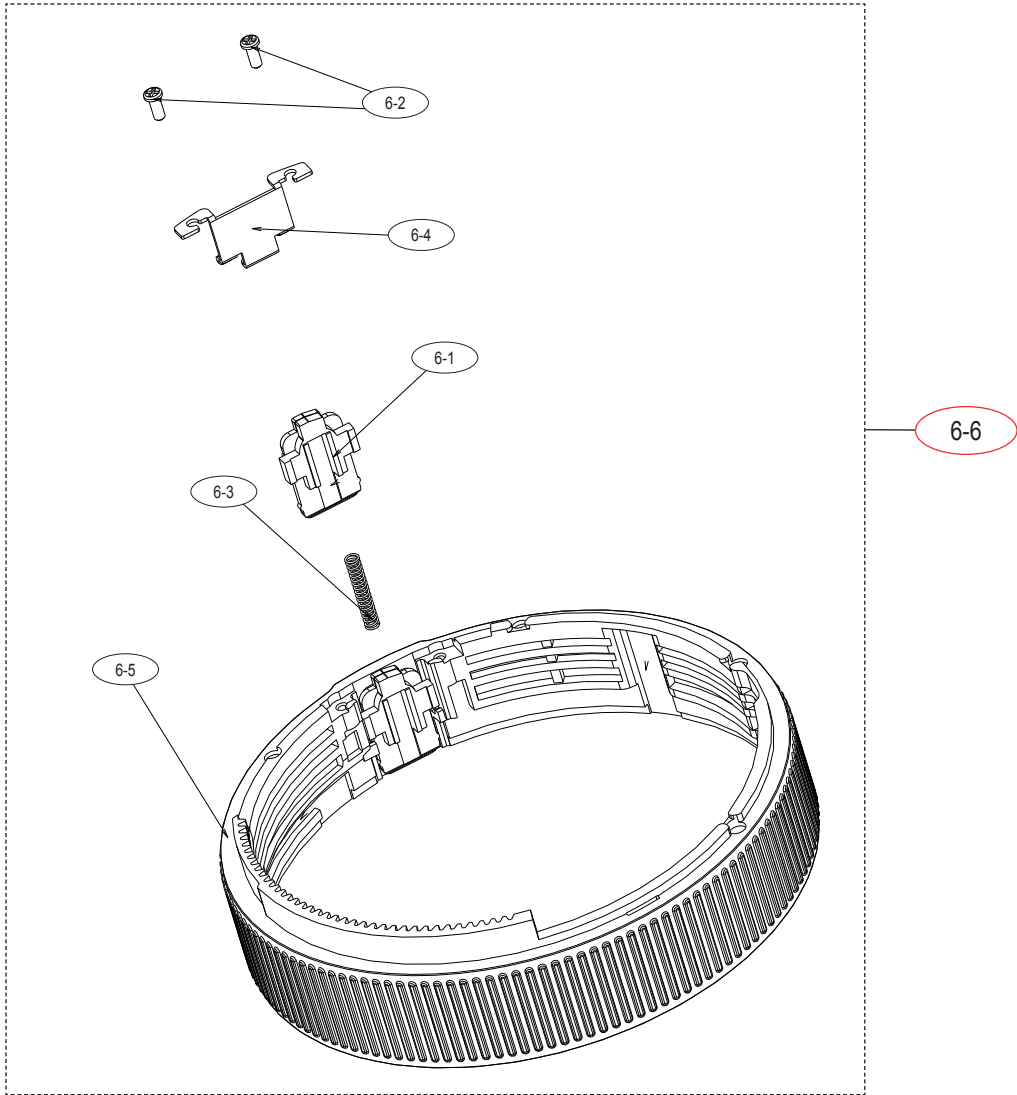
Loc. No	Parts No.	Description	Q ty	Available	Remark
4-1	AD61-04748A	AF MODULE BASE	1	X	
4-2	AD92-01349A	AF PI FPCB	1	X	
4-3	AD66-00723A	GEAR-1	1	X	
4-4	AD66-00724A	GEAR-2	1	X	
4-5	AD61-04779A	P-PLATE	1	X	
4-6	6003-001769	SCREW 1425-25	1	X	
4-7	AD67-01775A	FOCUSING GEAR	1	X	
4-8	AD66-00812A	F GEAR LEVER 1	1	X	
4-9	AD66-00813A	F GEAR LEVER 2	1	X	
4-10	AD97-19658A	MOTOR ASSY	1	X	
4-11	6003-001657	SCREW 1440-25	2	X	
4-12	AD63-05512A	FOCUSING GEAR SHEER	1	X	
4-13	AD64-03073A	FOCUSING GEAR MASK	1	X	
4-14	AD63-05511A	AF MODULE SHEET	1	X	
4-15	6003-001706	SCREW 1430-25	2	X	
4-16	AD97-19889A	AF BASE ASSY	1	o	

3-5 (XL1015 : 20-50mm F3.5-5.6 ED) FRONT COVER ASSEMBLY



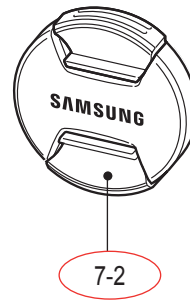
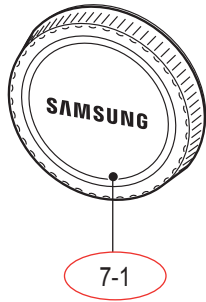
Loc. No	Parts No.	Description	Q ty	Available	Remark
5-1	AD63-05250A	FRONT COVER	1	X	
5-2	AD63-05360A	SHIELD TAPE 3RD	1	X	
5-3	AD63-05551A	FIX BARREL TAPE	3	X	
5-4	AD97-19902A	FRONT COVER ASSY	1	○	

3-6 (XL1015 : 20-50mm F3.5-5.6 ED) ZOOM RING ASSY



Loc. No	Parts No.	Description	Q ty	Available	Remark
6-1	AD64-03700A	BUTTON-LOCK LEVER_BK	1	X	BLACK
	AD64-03700B	BUTTON-LOCK LEVER_WT	1	X	WHITE
	AD64-03700C	BUTTON-LOCK LEVER_PK	1	X	PINK
6-2	6003-001675	SCREW 1225-20	2	X	
6-3	6107-002767	SPRING LEVER LOCK	1	X	
6-4	AD61-05709A	PLATE-LOCK LEVER	1	X	
6-5	AD67-02494A	ZOOM RING_BK	1	X	BLACK
	AD67-02494B	ZOOM RING_WT	1	X	WHITE
	AD67-02494C	ZOOM RING_PK	1	X	PINK
6-6	AD97-22548A	ASSY BARREL-ZOOM RING_BK	1	O	BLACK
	AD97-22548B	ASSY BARREL-ZOOM RING_WT	1	O	WHITE
	AD97-22548D	ASSY BARREL-ZOOM RING_PK	1	O	PINK

3-7 (XL1015 : 20-50mm F3.5-5.6 ED) PACKING ITEMS



Loc. No	Parts No.	Description	Q ty	Available	Remark
7-1	AD63-03989A	COVER-MOUNT CAP	1	0	
7-2	AD97-20008A	ASSY-LENS CAP_XL1015	1	0	



Area	Web Site
Europe, MENA, CIS, Africa	https://gspn1.samsungcportal.com
E.Asia, W.Asia, China, Japan	https://gspn2.samsungcportal.com
N.America, S.America	https://gspn3.samsungcportal.com

This Service Manual is a property of Samsung Electronics Co.,Ltd.
Any unauthorized use of Manual can be punished under
applicable International and/or domestic law.

© 2011 SAMSUNG Electronics Co.,Ltd
All rights reserved.
Printed in Korea
Code No: EC-NX lens