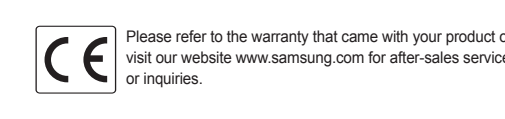


ENG / KOR / FRE / GER / SPA / TCH / YD / POR (BRA) / TUR / RUS / SVE / FIN / DUT / DAN / NOR / CHI



Before Using This Device

Thank you for purchasing the Samsung Lens. The illustrations in this manual are based on the Samsung 20mm F2.8 lens. The illustrations used in this manual may differ from the actual items. Some functions described in this manual may not be available depending on the camera model and the version of the camera body and/or lens. Visit www.samsung.com to download the firmware.

Using i-Function

When you use a flash in situations where the distance between the subject and the camera is long, the flash light may be partially blocked by the lens or camera body. To ensure proper lighting, remove the lens hood or adjust the distance between the camera and subject.

Attaching and Removing the Lens

To attach the lens, Remove the lens caps, mount the lens on the body cap, and attach the lens cap. Attach the lens to the camera lens mount on the camera body. Remove the lens cap shown in the illustration.

Using the focus ring

Use MF Mode to manually focus the camera by rotating the focus ring on the lens. You can select the MF mode on the camera.

Do not apply excessive force to the front of the lens while the camera is using auto focus (AF).

Use MF Assist function on the camera to aid with manual focusing.

Refer to your camera manual for more details.

Table with 2 columns: English and Korean, containing technical specifications and usage instructions.

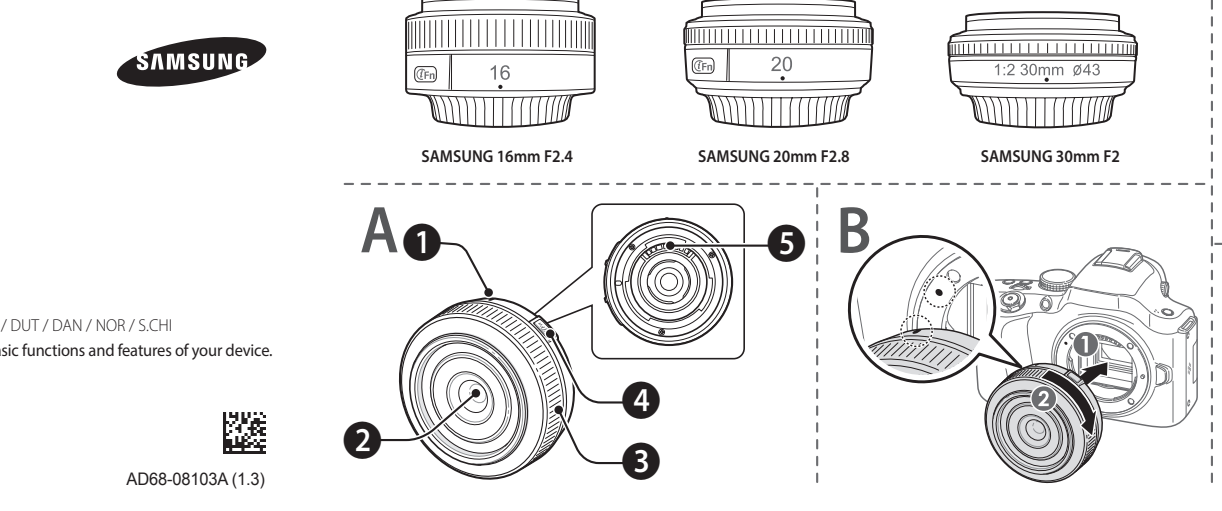


Table with 4 columns: Mount Type, Focal Length, Minimum Aperture, etc., comparing different lens models.

Using a Filter (optional) (See illustration F)

Always use a filter on the lens, make sure the filter is compatible. Refer to "Specifications" for compatible filter size.

Specifications

Specifications table with columns for Lens Name, Mount Type, Focal Length, etc., listing details for Samsung 16mm F2.4, 20mm F2.8, and 30mm F2 lenses.

Table with 4 columns: Model, Item, Price, and Item Name, listing accessories like lens caps and filters.

Table with 2 columns: Français and English, containing technical specifications and usage instructions.

Table with 2 columns: Français and English, containing technical specifications and usage instructions.

Table with 2 columns: Français and English, containing technical specifications and usage instructions.

Table with 2 columns: German and English, containing technical specifications and usage instructions.

Table with 2 columns: German and English, containing technical specifications and usage instructions.

Table with 2 columns: German and English, containing technical specifications and usage instructions.

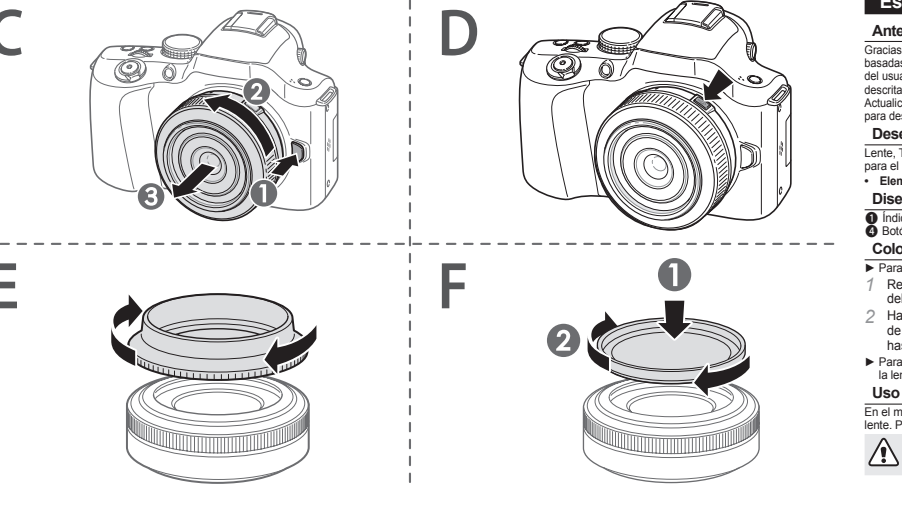


Table with 4 columns: Mount Type, Focal Length, Minimum Aperture, etc., comparing different lens models.

Using a Filter (optional) (See illustration F)

Always use a filter on the lens, make sure the filter is compatible. Refer to "Specifications" for compatible filter size.

Specifications table with columns for Lens Name, Mount Type, Focal Length, etc., listing details for Samsung 16mm F2.4, 20mm F2.8, and 30mm F2 lenses.

Table with 2 columns: Italiano and English, containing technical specifications and usage instructions.

Table with 2 columns: Italiano and English, containing technical specifications and usage instructions.

Table with 2 columns: Italiano and English, containing technical specifications and usage instructions.

Table with 2 columns: Italiano and English, containing technical specifications and usage instructions.

Table with 2 columns: Italiano and English, containing technical specifications and usage instructions.

Table with 2 columns: Italiano and English, containing technical specifications and usage instructions.

Table with 2 columns: Italiano and English, containing technical specifications and usage instructions.

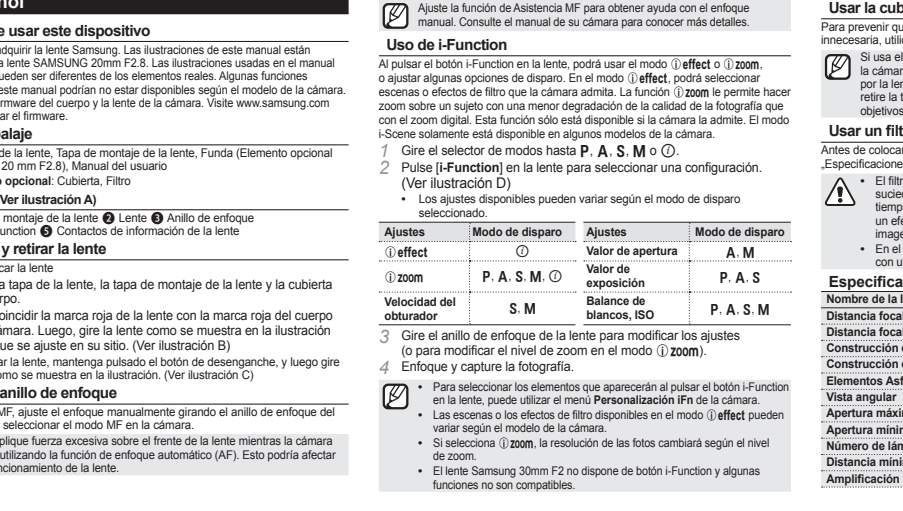


Table with 4 columns: Mount Type, Focal Length, Minimum Aperture, etc., comparing different lens models.

Using a Filter (optional) (See illustration F)

Always use a filter on the lens, make sure the filter is compatible. Refer to "Specifications" for compatible filter size.

Specifications table with columns for Lens Name, Mount Type, Focal Length, etc., listing details for Samsung 16mm F2.4, 20mm F2.8, and 30mm F2 lenses.

Table with 2 columns: Português (Brasil) and English, containing technical specifications and usage instructions.

Table with 2 columns: Português (Brasil) and English, containing technical specifications and usage instructions.

Table with 2 columns: Português (Brasil) and English, containing technical specifications and usage instructions.

Table with 2 columns: Português (Brasil) and English, containing technical specifications and usage instructions.

Table with 2 columns: Português (Brasil) and English, containing technical specifications and usage instructions.

Table with 2 columns: Português (Brasil) and English, containing technical specifications and usage instructions.

Table with 2 columns: Português (Brasil) and English, containing technical specifications and usage instructions.

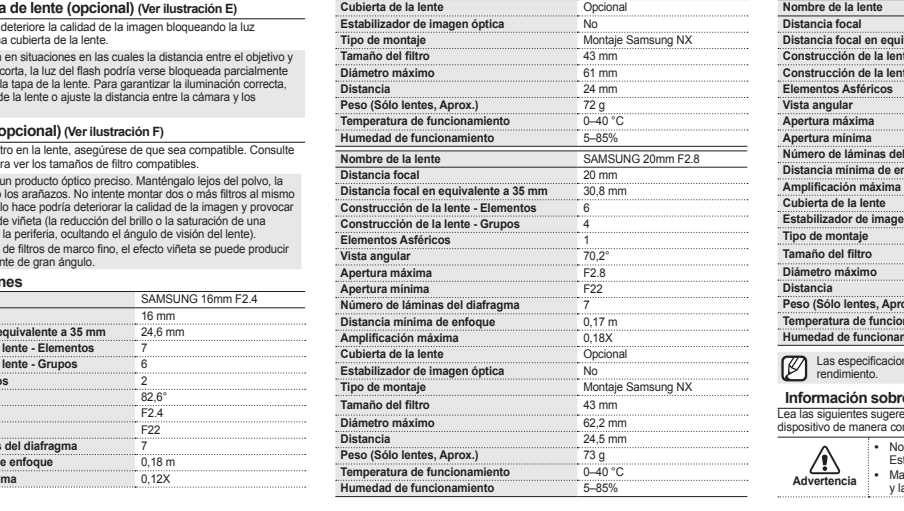


Table with 4 columns: Mount Type, Focal Length, Minimum Aperture, etc., comparing different lens models.

Using a Filter (optional) (See illustration F)

Always use a filter on the lens, make sure the filter is compatible. Refer to "Specifications" for compatible filter size.

Specifications table with columns for Lens Name, Mount Type, Focal Length, etc., listing details for Samsung 16mm F2.4, 20mm F2.8, and 30mm F2 lenses.

Table with 2 columns: Spanish and English, containing technical specifications and usage instructions.

Table with 2 columns: Spanish and English, containing technical specifications and usage instructions.

Table with 2 columns: Spanish and English, containing technical specifications and usage instructions.

Table with 2 columns: Spanish and English, containing technical specifications and usage instructions.

Table with 2 columns: Spanish and English, containing technical specifications and usage instructions.

Table with 2 columns: Spanish and English, containing technical specifications and usage instructions.

Table with 2 columns: Spanish and English, containing technical specifications and usage instructions.

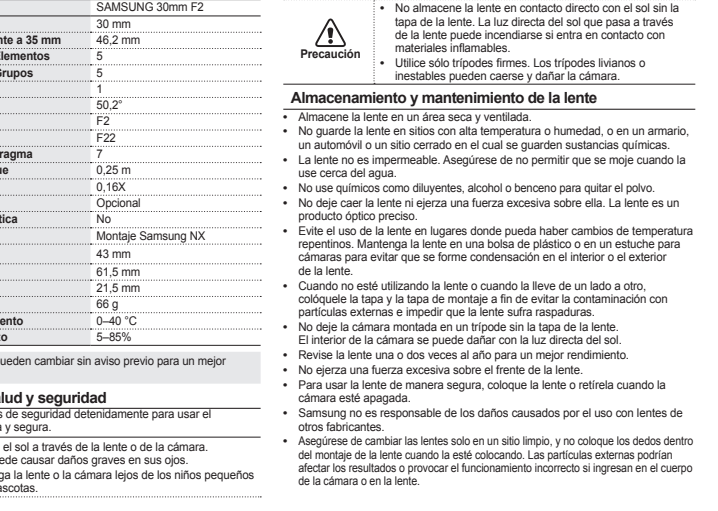


Table with 4 columns: Mount Type, Focal Length, Minimum Aperture, etc., comparing different lens models.

Using a Filter (optional) (See illustration F)

Always use a filter on the lens, make sure the filter is compatible. Refer to "Specifications" for compatible filter size.

Specifications table with columns for Lens Name, Mount Type, Focal Length, etc., listing details for Samsung 16mm F2.4, 20mm F2.8, and 30mm F2 lenses.

Table with 2 columns: Czech and English, containing technical specifications and usage instructions.

Table with 2 columns: Czech and English, containing technical specifications and usage instructions.

Table with 2 columns: Czech and English, containing technical specifications and usage instructions.

Table with 2 columns: Czech and English, containing technical specifications and usage instructions.

Table with 2 columns: Czech and English, containing technical specifications and usage instructions.

Table with 2 columns: Czech and English, containing technical specifications and usage instructions.

Table with 2 columns: Czech and English, containing technical specifications and usage instructions.



